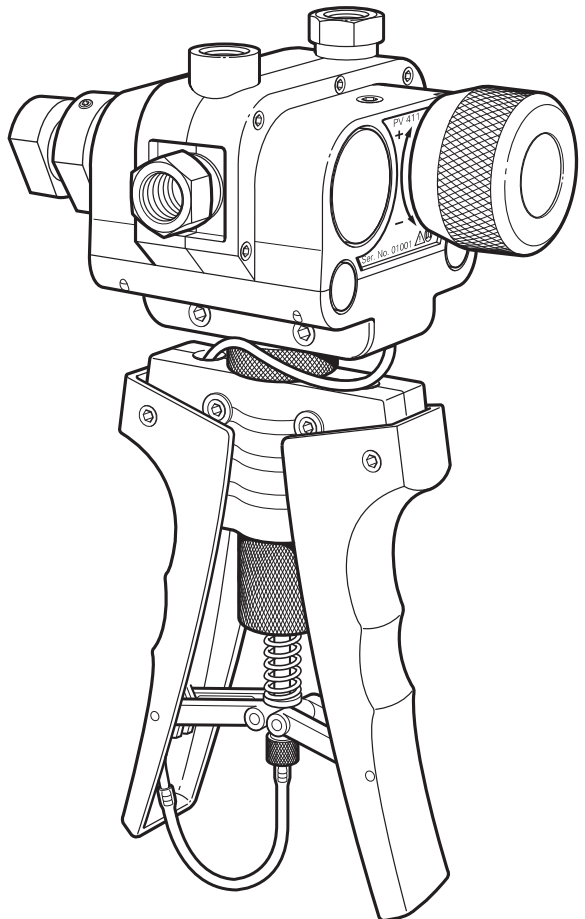


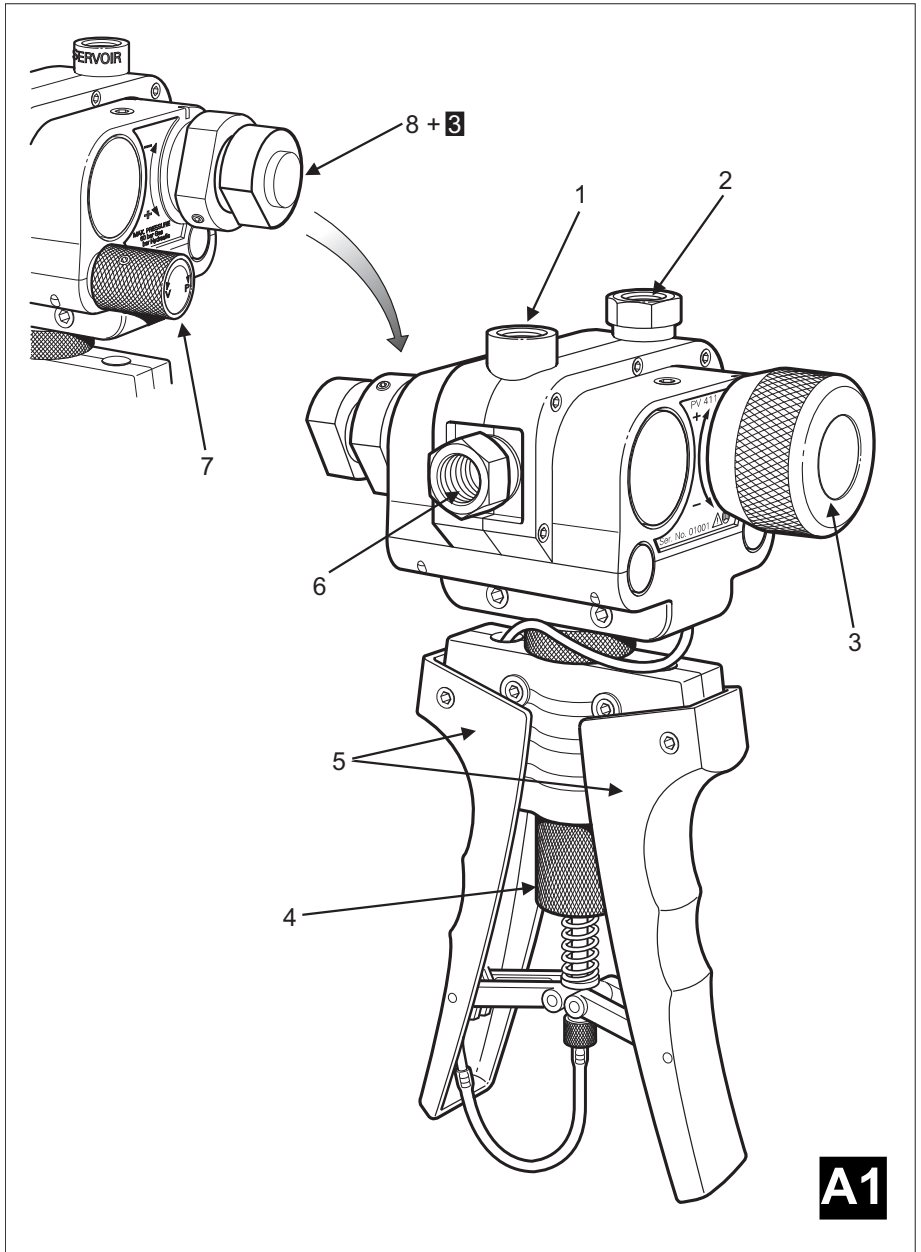
# PV411A

## Pneumatic/Hydraulic Hand-pump Instruction Manual

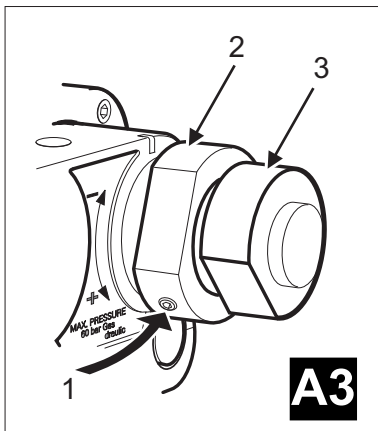
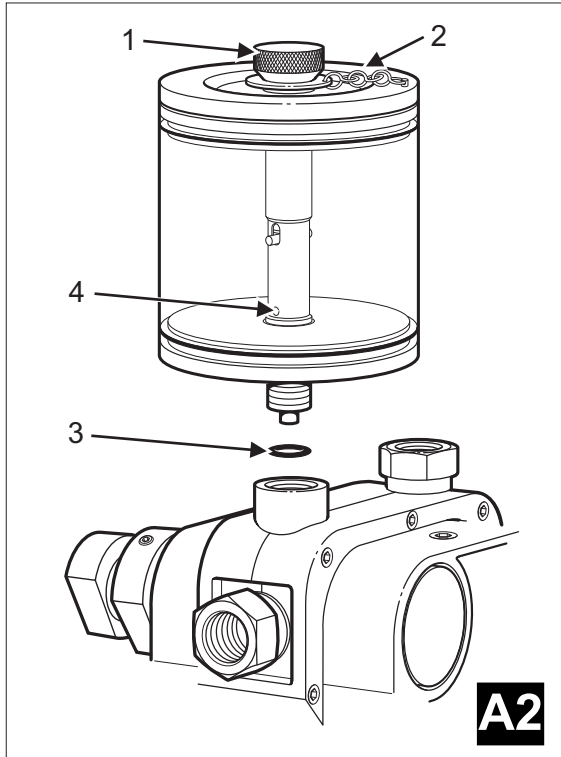
English	1 – 6
Deutsch	7 – 12
Español	13 – 18
Français	19 – 24
Italiano	25 – 30
Lietuvių	31 – 36
Norsk	37 – 42
Português	43 – 48
Русский	49 – 54
中文	55 – 58
日本語	59 – 64







**A1**





**A4**



# Introduction

This manual provides operating instructions for the PV411A Pneumatic/Hydraulic hand-pump compatible with the requirements of line operation. The PV411A supersedes the PV411.

## Safety

The manufacturer has designed this equipment to be safe when operated using the procedures detailed in this manual. The user must not use this equipment for any other purpose than that stated. Only use hydraulic fluids stated in the specification.

This manual contains safety and operating instructions that must be followed to make sure of safe operation and to keep the equipment in a safe condition. The safety instructions are either warnings or cautions issued to protect the user and the equipment from injury or damage.

Users are to check that there is no visible gap or play between the plastic halves of the PV411A prior to use. If a visible gap or play is evident, do not use, contact your local Service Center. See Section 6.2 on page 5 for more details.

Use suitably qualified technicians<sup>1</sup> and good engineering practice for all procedures in this manual.

## Pressure

Do not apply pressure greater than the maximum safe working pressure stated in the specification.

## Maintenance


The equipment must be maintained using the procedures in this publication. Further manufacturer's procedures should be done by an authorized service agents or the manufacturer's service departments.

## Technical Advice

For technical advice contact the manufacturer or subsidiary.

## Symbols

The following symbols mark this equipment:

Symbol	Description
	This symbol, on the equipment, indicates a warning and that the user should refer to the user manual.

## Abbreviations

The following abbreviations are used in this publication.

**Note:** Abbreviations are the same in the singular and plural.

Abbreviation	Description
°C	degrees Celsius
BSP	British Standard Pipe thread
cm	centimetre
COSHH	Control of Substances Hazardous to Health regulations
cSt	centi Stoke
°F	degrees Fahrenheit
inHg	inches of mercury
lb	pounds

1. A qualified technician must have the necessary technical knowledge, documentation, special test equipment and tools to carry out the required work on this equipment.

Abbreviation	Description
ISO	International Standards Organization
kg	kilogram
m	metre
mm	millimetre
MSDS	Material Safety Data Sheet
NPT	National Pipe Thread
PRV	pressure relief valve
psi	pounds per square inch
PTFE	polytetrafluoroethylene
SAE	Society of Automotive Engineers
UUT	Unit under test

## 1. Introduction

The PV411A hand-pump generates either pneumatic pressure and vacuum or hydraulic pressure. The scissor-action handles provide pneumatic pressure and vacuum generation and, in the hydraulic mode, provides hydraulic pressure generation for system priming.

### 1.1 Pneumatic Pump (Figure A1)

A selector valve (7) vents the system, to atmosphere, between selections of pressure and vacuum. Operating the scissor-action handles (5) provides the pumping stroke, for pressure generation.

A volume adjuster (3) allows small adjustments of the system pressure.

### 1.2 Hydraulic Pump (Figure A1)

The selector valve (7) vents the system, to the reservoir, between selections of pressure and vacuum (used in the priming process). The volume adjuster (3) generates the required system pressure. A fluid reservoir (see Figure A2), screwed into the inlet port (1), marked RESERVOIR, on the top of the hand-pump completes the hydraulic circuit. A pressure relief valve (8) can be adjusted to set a pressure between 30 and 700 bar (500 to 10,000 psi).

## 2. Operation



**WARNING** Before applying pressure, make sure all connections are correct and equipment is internally clean and free from damage.

Make sure that all equipment is to the correct pressure rating.

Do not exceed the maximum operating pressure stated in the specification.

Observe the relevant health and safety precautions.



**CAUTION** If PTFE tape is used to seal NPT threads, ensure that only a sufficient amount is used to achieve pressure seal. If excess tape is used, particles can become loose during the connector mating process and enter the pump, potentially leading to loss of pump performance or pressure leaks.

**Note:** Wherever possible, use o-ring seals in the BSP connection ports this is the recommended method of sealing.

### Key to Figure A1

1. Inlet (reservoir) port

2. Outlet port
3. Volume adjuster
4. Limit adjuster
5. Scissor-action handles
6. Outlet port
7. Selector valve
8. Pressure relief valve (see Figure A3)

## 2.1 Pressure/Vacuum Configuration (Figure A1)

In pressure mode, air/fluid is drawn in through the inlet port (1) on the top of the pump and forced out through the two outlet ports (2 and 6).

In vacuum mode, the air/fluid flow is reversed as air/fluid is drawn in through the top and rear outlet ports (2 and 6) and expelled through the inlet port (1).

## 2.2 Connecting the Pump



**WARNING** Support the PV411A pressure port nut when making, or removing, connections. See Figure A4 for the recommended method of supporting the PV411A pressure port nut.

Connections can be made to the pump either directly or using the range of adaptors supplied in the optional test kit.

### 2.2.1 Direct

BSP ports can be fitted with any suitable length ¼ BSP male connector, sealing either with an o-ring at the bottom of the port or a bonded seal at the top. Fit a suitable blanking plug to an unused port.

NPT ports can be fitted with any suitable length ¼ NPT male connector. Fit a suitable blanking plug to an unused port. If PTFE tape is used to seal NPT threads, ensure that only a sufficient amount is used to achieve pressure seal. If excess tape is used, particles can become loose during the connector mating process and enter the pump, potentially leading to loss of pump performance or pressure leaks.

### 2.2.2 Swivel Adaptors (optional)

The single, ¼ BSP, swivel adaptor connects with a range of fixed adaptors. Using the knurled grip-feature, hand-tighten (clockwise) the swivel adaptor, until it is fully inserted.

### 2.2.3 Swivel Pump Head

The pump head swivels through 140° providing optimum viewing angle and bench-top operation. Placing the pump on the bench allows greater force to be applied to the scissor-action handles. Internal stops prevent further rotation of the pump head.

**Note:** Do not use excessive force when rotating the pump head.

## 2.3 Selector Valve

**Pressure:** Turn the selector valve fully clockwise (in) position (hand-tight).

**Vacuum:** Turn the selector valve fully counterclockwise (out) position (hand-tight).

**Vent:** Slowly turn the selector valve to the center position.



**INFORMATION** Avoid damaging the instrument under test by using the volume adjuster to slowly release hydraulic pressure.

## 2.4 Scissor-action Handles Limit Adjuster (Figure A1)

Turning the limit adjuster (4) clockwise reduces the stroke of the scissor-action handles (5), turning the limit adjuster (4) counter-clockwise increases the stroke.

For maximum pneumatic pressure generation, turn the limit adjuster fully counter-clockwise.

## 3. Pneumatic Operation

### 3.1 Volume Adjuster

The volume adjuster can be used in different modes:

#### 3.1.1 Low Pressure

1. With the selector valve set to vent (open), turn the volume adjuster fully counterclockwise (out).
2. Turn the selector valve to the fully clockwise (in) position to select pressure.
3. Turn the volume adjuster clockwise to generate pressure.

#### 3.1.2 High Pressure

1. Turn the volume adjuster to the mid-position. In this position fine adjustments of the generated pressure can be made.
2. Using the scissor-action handles, generate the approximate pressure; then turn the volume adjuster clockwise (in) to increase the pressure or turn the volume adjuster counterclockwise (out) to decrease the pressure.

#### 3.1.3 Vacuum

1. Turn the selector valve fully counterclockwise (out) position.
2. Turn the volume adjuster to the mid-position. In this position fine adjustments of the generated vacuum can be made.
3. Using the scissor-action handles, generate the approximate vacuum; then turn the volume adjuster clockwise (in) to decrease the vacuum or turn the volume adjuster counterclockwise (out) to increase the vacuum.

For low vacuum use the volume adjuster only.

## 3.2 Generating Pneumatic Pressure and Vacuum (Figure A1)

Connect the pump as detailed in “Connecting the Pump” on page 2.

**Note:** Compressing a gas generates heat. Gas heated or cooled in an enclosed volume causes a pressure change. It is important to allow enough time for the heated gas to cool and the pressure to stabilize.

The pumping required to generate a pressure depends on the volume of the system. Therefore, keep the system volume to a minimum.

### 3.2.1 Pressure

1. Turn the selector valve (7) fully clockwise (in) position.
2. Operate the scissor-action handles (5) to generate the approximate pressure, allow time for thermal stabilization.
3. If necessary, use the volume adjuster (3) to adjust the required pressure.
4. After attaining the required pressure operate the scissor-action handles (5) to generate a higher pressure. Alternatively, vent the pressure to atmosphere by slowly turning (counterclockwise) the selector valve (7) to the center position.



5. After completion, depressurize the pump and disconnect from the pipes and equipment.

### 3.2.2 Vacuum

1. Turn the selector valve (7) fully counterclockwise (out) position.
2. Operate the scissor-action handles (5) to generate the approximate vacuum, allow time for thermal stabilization.
3. If necessary, use the volume adjuster (3) to adjust the required vacuum.
4. After attaining the required vacuum operate the scissor-action handles (5) to generate a higher vacuum. Alternatively, vent atmosphere into the vacuum by slowly turning (counterclockwise) the selector valve (7) to the center position.
5. After completion, depressurize the pump and disconnect from the pipes and equipment.

## 4. Hydraulic Operation



**WARNING** Observe all safety precautions and procedures stated in local orders.



**CAUTION** Do not mix hydraulic fluids.

Only use compatible fluids, refer to the specification.

Only fit appropriate seals on pressure connections.

Damage can be caused if equipment connected to this pump is contaminated. Avoid particulate contamination.

After use, the pump should be considered contaminated with hydraulic fluid.

**Note:** Wherever possible, use o-ring seals in the BSP connection ports, this is the recommended method of sealing.

### Key to Figure A2

1. Reservoir cover lock nut
2. Reservoir cover
3. O-ring
4. Bleed hole

### 4.1 Fluid Reservoir (Figure A2)

The main body of the reservoir is transparent acrylic providing a clear view of the contents.

The reservoir can be removed from the pump without the need to empty the fluid, a self-sealing connection prevents leakage. The spring-loaded reservoir cover (2) seals under atmospheric pressure conditions, but vents excess internal pressure harmlessly in the event of inadvertent pressurization.

The reservoir, connects to the inlet port on the top of the pump and supplies fluid to the pump system for pressure generation.

In vacuum mode, used in priming, the fluid flow is reversed, fluid is drawn from the two outlet ports and through to the inlet port and the reservoir.

### 4.2 Fitting

Make sure that the correct o-ring seal (3) is fitted to the inlet port to prevent leakage. Screw the reservoir (clockwise) into the inlet port marked RESERVOIR.

**Note:** Demineralized water is used to test the pump at manufacture. On shipment, there will be traces of demineralized water in the system.

### 4.3 Filling

1. Unscrew the reservoir cover lock nut (1) and remove the reservoir cover (2).
2. Using clean, recommended fluid fill the reservoir to approximately 2/3 full.
3. Refit the reservoir cover and re-tighten the reservoir cover lock nut (1).
4. Connect the required pipes and equipment to the outlet ports.

### 4.4 Priming the System

There are two methods: vacuum priming to extract the air or pre-filling the system.

**Note:** If air remains in the system, full pressure cannot be achieved as the air in the fluid compresses. Air must be removed from the system fluid.

Both priming methods require the pump to be held in the vertical position to keep the reservoir bleed hole (4) in fluid. Do not allow air to enter the system through this bleed hole (4).

#### 4.4.1 Vacuum Priming (Figure A2)

1. Connect the equipment as detailed in "Operation" on page 1.
2. Air can be removed using the vacuum facility on the pump.
 

**Note:** This method should not be used with vacuum-sensitive equipment.
3. Turn selector valve fully out, counterclockwise (vacuum) position.
4. Turn the volume adjuster valve fully counterclockwise (out) position.
5. Pump until bubbles stop appearing in the reservoir, (this generates a vacuum in the system).
6. Turn the selector valve fully in, (this action releases the vacuum and rapidly fills the system with fluid from the reservoir). It is advisable to generate a small hydraulic pressure, then release this pressure and repeat the vacuum priming sequence above a second time, to verify that any air in the system has been removed.
7. The pump and connected system is ready for use.

#### 4.4.2 Pre-filling

1. Connect the equipment as detailed "Operation" on page 1.
2. Turn the selector valve fully clockwise (in) position.
3. Loosen the reservoir cover lock nut (1) to open the reservoir cover (2) and let atmospheric pressure into the top of the reservoir.
4. Open the bleed valve on the UUT.
5. Carefully operate the scissor-action handles to fill the system. Stop pumping when fluid comes out of the bleed valve.
6. Close the bleed valve on the UUT.
7. If necessary, top-up the reservoir to the 2/3 level with clean fluid.
8. Secure the reservoir cover by tightening the reservoir cover lock nut (1).
9. The pump and connected system is ready for use.

## 4.5 Generating Hydraulic Pressure (Figure A1)

**Note:** Pressurizing a fluid generates heat. A fluid heated or cooled in an enclosed volume causes a pressure change. Allow enough time to thermally stabilize.

1. If necessary, set the PRV see following section.
2. Open the selector valve (7) counterclockwise 1 turn.
3. Screw the volume adjuster (3) fully out (counterclockwise).
4. Close the selector valve (7).
5. Use the scissor-action handles (5) to generate the initial pressure.
6. Then turn the volume adjuster (3) clockwise to generate the required pressure, allow time for thermal stabilization.
7. To reduce the pressure, turn the volume adjuster (3) out (counterclockwise) to the required pressure.
8. After completion, turn the volume adjuster (3) fully out (counterclockwise) and turn the selector valve (7) to depressurize the pump. Disconnect from the pipes and equipment.

## 4.6 Setting Pressure Relief Valve (Figure A3)

The pressure relief valve (PRV) can be set at pressures from 30 to 700 bar (500 to 10,000 psi).



**CAUTION** Do not exceed 700 bar (10,000 psi). This can damage the internal seals of the PRV and the PV411A

If the system pressure exceeds the set pressure, the PRV opens and vents fluid through the inlet port to the reservoir. When the system pressure decreases below the set pressure, the PRV closes.

### Key to Figure A3

1. PRV locking screw (quantity 2)
2. PRV lock nut (with left-hand thread)
3. PRV adjusting nut (with left-hand thread)

### 4.6.1 To set the PRV:

1. Connect a suitable pressure indicator to either outlet port (Figure A1) (2) or (6). Fit a blank to the unused port.
2. Increase pressure until the relief valve operates.
3. Loosen the two PRV locking screws (1).
4. Loosen the PRV lock nut (2) by turning clockwise.
5. Set the relief pressure by turning the PRV adjusting nut (3).

To increase pressure: Turn the PRV adjusting nut (3) counterclockwise.

To decrease pressure: Turn the PRV adjusting nut (3) clockwise.

6. After setting the PRV, hold adjusting nut (3) in position and tighten the locking nut (2).

**Note:** The locking nut has a left-hand thread.

7. Check the operation of the PRV. If necessary reset the PRV.
8. Secure the locking nut by tightening the two locking screws (1).

## 4.7 Fault Finding

If the system pressure reduces, check the following:

1. Check the selector valve (Figure A1) (7) is in the correct position and properly tightened.
2. Allow sufficient time after pressure generation for the temperature to stabilize. The larger the system volume, the longer the time for thermal stability.
3. Check the adaptors, flexible pipe and connections between the pump and equipment under test for leaks. Tighten any loose joints and replace any seals that are worn or damaged.
4. In hydraulic mode, if the volume adjuster can be wound fully in, but maximum pressure cannot be achieved, or, if pressure can be achieved, but an initial slow reduction appears to be present, there is probably air trapped in the system. Without disconnecting any pump or DUT connections, Re-prime using the vacuum priming method and repeat.
5. Check PRV pressure setting.

If, for any reason, a fault occurs within the pump, it is recommended that the equipment be returned to an appointed agent.

## 5. General Specification



**INFORMATION** Hydraulic fluids must be compatible with stainless steel, anodized aluminum, nitrile rubber, PTFE, polypropylene, Delrin, acrylic and nylon.

Item	Specification
Pneumatic Pressure Range	0 to 60 bar (0 to 600 psi)
Vacuum Pressure Range	0 to -0.95 bar <sup>a</sup> (0 to 28.5 inHg) <sup>a</sup>
Hydraulic Pressure Range	0 to 700 bar (0 to 10,000 psi)
Maximum Safe Working Pressure	700 bar (10,000 psi)
Pressure Connections	¼" BSP parallel female (¼" NPT female in USA)
Maximum Hydraulic Fluid Viscosity	150 cSt at 40°C (104°F)
Recommended Hydraulic Fluids	De-mineralized water or mineral-based oils (SAE 40W, ISO viscosity grade 150)
Dimensions (Length x Width x Depth)	260 mm (10.2") x 150 mm (5.3") x 100 mm (3.7")
Weight (approximate)	1.2 kg (2.5 lb)

a. This value assumes atmospheric pressure at 1 bar (14.5 psi) and varies depending on atmospheric pressure.

## 6. Returned Goods Procedure

If the unit requires calibration or is unserviceable, return it to the nearest Druck Service Centre listed at:

<https://druck.com/service>.

Contact the Service Department to obtain a Return Goods/Material Authorization (RGA or RMA). Provide the following information for a RGA or RMA:

- Product (e.g. PV411A)
- Serial number.
- Details of defect/work to be undertaken.
- Calibration traceability requirements.
- Operating conditions.

## 6.1 Safety Precautions



**INFORMATION** Service by unauthorized sources will affect the warranty and may not guarantee further performance.

You must inform Druck if the product has been in contact with any hazardous or toxic substance.

The relevant COSHH or in the USA, MSDS, references and precautions to be taken when handling.

## 6.2 Approved Service Agents

For the list of service centers: <https://druck.com/service>.



## Einführung

Dieses technische Handbuch enthält die Betriebsanweisungen für die pneumatisch-hydraulische Handpumpe PV411A, die den Anforderungen für den Leitungsbetrieb entspricht. Die Pumpe PV411A ersetzt die Pumpe PV411.

## Sicherheit

Der Hersteller hat dieses Gerät so konstruiert, dass sein Betrieb sicher ist, wenn es gemäß den in dieser Bedienungsanleitung beschriebenen Verfahren eingesetzt wird. Dieses Gerät darf nur für den in dieser Anleitung angegebenen Zweck verwendet werden. Verwenden Sie nur die in der Spezifikation angegebenen Hydrauliköle.

Die Sicherheitshinweise und Betriebsanweisungen in dieser Anleitung müssen befolgt werden, um einen sicheren Betrieb und Zustand des Geräts zu gewährleisten. Die Sicherheitshinweise („Warnung“, „Achtung“) dienen dem Schutz des Anwenders und des Geräts vor Verletzungen bzw. Beschädigungen.

Benutzer müssen vor dem Gebrauch prüfen, dass zwischen den Kunststoffhälften des PV411A kein sichtbarer Spalt bzw. kein Spiel vorhanden ist. Wenn ein sichtbarer Spalt oder Spiel vorhanden ist, wenden Sie sich an Ihr lokales Servicecenter. Nähere Informationen finden Sie unter Abschnitt 6.2 auf Seite 11.

Alle Verfahren in dieser Anleitung sind von entsprechend qualifizierten Technikern<sup>1</sup> unter Einhaltung bewährter Methoden durchzuführen.

## Druck

Beaufschlagen Sie das Gerät nicht mit Druck, der den in der Spezifikation angegebenen maximalen sicheren Betriebsdruck übersteigt.

## Wartung

Die Wartung des Geräts muss gemäß den in diesem Dokument dargelegten Verfahren erfolgen. Weitere Herstelleranweisungen sollten durch autorisierte Servicevertretungen oder die Kundendienstabteilung des Herstellers ausgeführt werden.

## Technische Beratung

Wenden Sie sich an den Hersteller oder eine Niederlassung, wenn Sie technische Beratung benötigen.

## Symbole

Dieses Gerät ist mit folgenden Symbolen versehen:

Symbol	Beschreibung
--------	--------------



Dieses Symbol auf dem Gerät weist auf eine Warnung hin und gibt an, dass der Anwender in der Anleitung nachschlagen sollte.

## Abkürzungen

Die folgenden Abkürzungen werden in diesem Dokument verwendet.

**Hinweis:** Abkürzungen sind im Singular und Plural identisch.

Abkürzung	Beschreibung
°C	Grad Celsius
BSP	Britisches Maß für Standardrohrgewinde
cm	Zentimeter
COSHH	Control of Substances Hazardous to Health Regulations (Vorschriften zur Kontrolle gesundheitsgefährdender Stoffe)
cSt	Zentistoke
°F	Grad Fahrenheit
inHg	Zoll Quecksilber
lb	Pfund
ISO	International Standards Organization
kg	Kilogramm
m	Meter
mm	Millimeter
MSDS	Sicherheitsdatenblatt
NPT	US-amerikanisches Rohrgewindemaß
PRV	Überdruckventil
psi	Pfund pro Quadrat Zoll
PTFE	Polytetrafluorethylen
SAE	Society of Automotive Engineers (Verband der Kraftfahrzeugingenieure)
UUT	Prüfung

## 1. Einleitung

Die Handpumpe PV411A erzeugt wahlweise pneumatischen Druck und Unterdruck oder hydraulischen Druck. Mit den Scherengriffen wird pneumatischer Druck und Unterdruck erzeugt, während sie im Hydraulikmodus den Hydraulikdruck zur Vorbereitung des Systems aufbauen.

### 1.1 Druckluftpumpe (Abbildung A1)

Ein Mehrwegehahn (7) ermöglicht zwischen den Stellungen für Druck und Unterdruck, das System in die Umgebung zu entlüften. Die Betätigung der Scherengriffe (5) bewirkt den Pumpenhub für die Druckerzeugung.

Ein Volumenregler (3) ermöglicht Feineinstellungen des Systemdrucks.

### 1.2 Hydraulikpumpe (Abbildung A1)

Der Mehrwegehahn (7) ermöglicht zwischen den Stellungen für Druck und Unterdruck, das System in den Druckbehälter zu entlüften (während des Vorbereitungsprozesses). Der Volumenregler (3) erzeugt den erforderlichen Systemdruck. Ein in den Einlass (1) geschraubter und mit RESERVOIR gekennzeichneter Flüssigkeitsbehälter (siehe Abbildung A2) oben an der Handpumpe vervollständigt den Hydraulikkreis. Mithilfe eines Überdruckventils (8) kann ein Druckwert zwischen 30 und 700 bar eingestellt werden.

1. Für Arbeiten an diesem Gerät muss der qualifizierte Techniker über das notwendige technische Fachwissen, die entsprechende Dokumentation sowie spezielle Testausrüstung und Werkzeuge verfügen.

## 2. Betrieb



**WARNUNG** Bevor Sie das Gerät mit Druck beaufschlagen, vergewissern Sie sich, dass alle Anschlüsse korrekt sind und das Gerät von innen sauber und unbeschädigt ist.

Stellen Sie sicher, dass alle Geräte auf den richtigen Nenndruck eingestellt sind.

Der in der Spezifikation angegebene maximale Betriebsdruck darf nicht überschritten werden.

Beachten Sie die geltenden Gesundheits- und Sicherheitsvorkehrungen.



**ACHTUNG** Wenn Sie NPT-Gewinde mit PTFE-Band abdichten, achten Sie darauf, nur die benötigte Menge an Band zu verwenden, um die Druckabdichtung herzustellen. Bei übermäßiger Verwendung von PTFE-Band können sich beim Anschließen Partikel lösen und in die Pumpe eindringen, was potenziell zu einem Leistungsverlust der Pumpe oder Druckleckagen führen kann.

**Hinweis:** Es wird empfohlen, zur Abdichtung der BSP-Anschlüsse immer O-Ring-Dichtungen zu verwenden.

### Legende für Abbildung A1

1. Einlass (Behälter)
2. Auslass
3. Volumenregler
4. Grenzwertregler
5. Scherengriffe
6. Auslass
7. Mehrwegehahn
8. Überdruckventil (siehe Abbildung A3)

### 2.1 Druck-/Unterdruckkonfiguration (Abbildung A1)

Im Druckluftbetrieb wird Luft/Flüssigkeit durch den Einlass (1) an der Oberseite der Pumpe angesaugt und durch die beiden Auslässe (2 und 6) ausgestoßen.

Im Unterdruckbetrieb wird die Luft/Flüssigkeit umgelenkt, während Luft/Flüssigkeit durch den oberen und hinteren Auslass (2 und 6) angesaugt und dann durch den Einlass (1) ausgestoßen wird.

### 2.2 Anschließen der Pumpe



**WARNUNG** Stützen Sie den Druckanschluss des PV411A ab, wenn Sie Verbindungen anschließen oder trennen. Abbildung A4 zeigt die empfohlene Methode zum Abstützen des Druckanschlusses des PV411A.

Die Pumpe kann entweder direkt oder über die im optionalen Testkit mitgelieferten Adapter angeschlossen werden.

#### 2.2.1 Direkter Anschluss

Die BSP-Anschlüsse können mit einer 1/4-Zoll-BSP-Kupplung mit Außengewinde geeigneter Länge versehen und mit einem O-Ring an der Unterseite des Anschlusses bzw. einer Verbunddichtung an der Oberseite des Anschlusses abgedichtet werden. Nicht verwendete Anschlüsse sind mit einem Blindstopfen zu versehen.

Die NPT-Anschlüsse können mit einer 1/4-Zoll-NPT-Kupplung mit Außengewinde geeigneter Länge versehen werden. Nicht verwendete Anschlüsse sind mit einem Blindstopfen zu versehen. Wenn Sie NPT-Gewinde mit PTFE-Band abdichten, achten Sie darauf, nur die benötigte Menge an Band zu verwenden, um die Druckabdichtung herzustellen. Bei übermäßiger Verwendung von PTFE-Band können sich beim Anschließen Partikel lösen und in die Pumpe eindringen, was potenziell zu einem Leistungsverlust der Pumpe oder Druckleckagen führen kann.

#### 2.2.2 Schwenkadapter (optional)

Der einzelne 1/4-Zoll-BSP-Schwenkadapter lässt sich an eine Reihe von festen Adaptern anschließen. Schrauben Sie den Schwenkadapter per Hand (im Uhrzeigersinn) mithilfe des Rändelknopfs vollständig ein.

#### 2.2.3 Schwenkpumpenkopf

Der Pumpenkopf lässt sich um 140° drehen, um einen optimalen Blickwinkel und den Betrieb auf einer Werkbank zu ermöglichen. Wenn die Pumpe auf einer Werkbank platziert wird, kann eine größere Kraft auf die Scherengriffe ausgeübt werden. Interne Anschläge verhindern ein Drehen des Pumpenkopfs über 140° hinaus.

**Hinweis:** Wenden Sie zum Drehen des Pumpenkopfs keine übermäßige Kraft an.

### 2.3 Mehrwegehahn

Druck: Drehen Sie den Mehrwegehahn bis zum Anschlag im Uhrzeigersinn hinein (handfest).

Unterdruck: Drehen Sie den Mehrwegehahn bis zum Anschlag entgegen dem Uhrzeigersinn heraus (handfest).

Entlüftung: Drehen Sie den Mehrwegehahn langsam in die Mittelstellung.



**INFORMATION** Vermeiden Sie eine Beschädigung des zu prüfenden Instruments, indem Sie den Volumenregler zum langsamen Ablassen des Hydraulikdrucks verwenden.

### 2.4 Grenzwertregler für die Scherengriffe (Abbildung A1)

Der Hub der Scherengriffe (5) wird durch Drehen des Grenzwertreglers (4) im Uhrzeigersinn verkürzt und durch Drehen des Grenzwertreglers (4) entgegen dem Uhrzeigersinn verlängert.

Um den maximalen Luftdruck zu erzeugen, drehen Sie den Grenzwertregler bis zum Anschlag entgegen dem Uhrzeigersinn.

## 3. Pneumatikbetrieb

### 3.1 Volumenregler

Der Volumenregler kann in verschiedenen Betriebsarten eingesetzt werden:

#### 3.1.1 Niedriger Druck

1. Wenn der Mehrwegehahn auf Entlüften eingestellt ist (offen), drehen Sie den Volumenregler bis zum Anschlag entgegen dem Uhrzeigersinn heraus.
2. Drehen Sie den Mehrwegehahn bis zum Anschlag im Uhrzeigersinn hinein, um den Druckbetrieb auszuwählen.
3. Drehen Sie dann den Volumenregler im Uhrzeigersinn, um Druck zu erzeugen.

#### 3.1.2 Hoher Druck

1. Drehen Sie den Volumenregler in die Mittelstellung. In dieser Stellung können Sie eine Feineinstellung des erzeugten Drucks vornehmen.

2. Stellen Sie mithilfe der Scherengriffe den ungefähren Druck ein. Drehen Sie dann den Volumenregler im Uhrzeigersinn hinein, um den Druck zu erhöhen, oder entgegen dem Uhrzeigersinn heraus, um den Druck zu verringern.

### 3.1.3 Unterdruck

1. Drehen Sie den Mehrwegehahn bis zum Anschlag entgegen dem Uhrzeigersinn heraus.
2. Drehen Sie den Volumenregler in die Mittelstellung. In dieser Stellung können Sie eine Feineinstellung des erzeugten Unterdrucks vornehmen.
3. Stellen Sie mithilfe der Scherengriffe den ungefähren Unterdruck ein. Drehen Sie dann den Volumenregler im Uhrzeigersinn hinein, um den Unterdruck zu erhöhen, oder entgegen dem Uhrzeigersinn heraus, um den Unterdruck zu verringern.

Um einen niedrigen Unterdruck zu erzeugen, verwenden Sie nur den Volumenregler.

## 3.2 Erzeugen von Luftdruck und Unterdruck (Abbildung A1)

Schließen Sie die Pumpe wie unter „Anschließen der Pumpe“ auf Seite 8 beschrieben an.

**Hinweis:** Durch die Verdichtung eines Gases entsteht Wärme. Die Erwärmung oder Abkühlung von Gas in einem geschlossenen Raum bewirkt eine Druckänderung. Deshalb muss genügend Zeit vorgesehen werden, damit sich erwärmtes Gas abkühlen und der Druck stabilisieren kann.

Der zum Erzeugen eines Drucks erforderliche Pumpenbetrieb hängt vom Volumen des Systems ab. Aus diesem Grund sollte das Systemvolumen möglichst gering gehalten werden.

### 3.2.1 Druck

1. Drehen Sie den Mehrwegehahn (7) bis zum Anschlag im Uhrzeigersinn hinein.
2. Betätigen Sie die Scherengriffe (5), um den ungefähren Druck zu erzeugen, und warten Sie, bis sich die Temperatur stabilisiert hat.
3. Stellen Sie bei Bedarf mit dem Volumenregler (3) den erforderlichen Druck ein.
4. Sobald dieser erreicht ist, betätigen Sie die Scherengriffe (5), um einen höheren Druck zu erzeugen. Drehen Sie alternativ den Mehrwegehahn (7) langsam (entgegen dem Uhrzeigersinn) in die Mittelstellung, um Druck in die Umgebung abzulassen.
5. Wenn der Vorgang abgeschlossen ist, lassen Sie den Druck aus der Pumpe ab, und trennen Sie die Rohrleitungen sowie das Gerät von der Pumpe.

### 3.2.2 Unterdruck

1. Drehen Sie den Mehrwegehahn (7) bis zum Anschlag entgegen dem Uhrzeigersinn heraus.
2. Betätigen Sie die Scherengriffe (5), um den ungefähren Unterdruck zu erzeugen, und warten Sie, bis sich die Temperatur stabilisiert hat.
3. Stellen Sie bei Bedarf mit dem Volumenregler (3) den erforderlichen Unterdruck ein.
4. Sobald dieser erreicht ist, betätigen Sie die Scherengriffe (5), um einen höheren Unterdruck zu erzeugen. Drehen Sie alternativ den Mehrwegehahn (7) langsam (entgegen dem Uhrzeigersinn) in die Mittelstellung, um den Unterdruck auszugleichen.

5. Wenn der Vorgang abgeschlossen ist, lassen Sie den Druck aus der Pumpe ab, und trennen Sie die Rohrleitungen sowie das Gerät von der Pumpe.

## 4. Hydraulikbetrieb



**WARNUNG** Beachten Sie alle in den örtlichen Bestimmungen festgelegten Sicherheitsmaßnahmen und -verfahren.



**ACHTUNG** Mischen Sie keinesfalls verschiedene Hydrauliköle.

Verwenden Sie nur verträgliche Öle, siehe Spezifikation.

Versehen Sie die Druckanschlüsse immer mit geeigneten Dichtungen.

Die Pumpe kann beschädigt werden, wenn das daran angeschlossene Gerät verschmutzt ist. Vermeiden Sie Verschmutzung durch Feststoffe.

Nach dem Gebrauch gilt die Pumpe als durch Hydrauliköl verschmutzt.

**Hinweis:** Es wird empfohlen, zur Abdichtung der BSP-Anschlüsse immer O-Ring-Dichtungen zu verwenden.

### Legende für Abbildung A2

1. Sicherungsmutter des Behälterdeckels
2. Behälterdeckel
3. O-Ring
4. Entlüftungsöffnung

### 4.1 Flüssigkeitsbehälter (Abbildung A2)

Der Hauptkörper des Flüssigkeitsbehälters besteht aus transparentem Acryl, damit sein Inhalt deutlich sichtbar ist.

Der Behälter kann ohne Ablassen der Flüssigkeit von der Pumpe abgenommen werden, da ein selbstdichtender Anschluss ein Auslaufen verhindert. Der federbelastete Deckel (2) des Behälters schließt unter Umgebungsdruckbedingungen dicht, lässt jedoch übermäßigen Innendruck bei unbeabsichtigter Druckbeaufschlagung gefahrlos ab.

Der an den Einlass oben an der Pumpe angeschlossene Behälter versorgt das Pumpensystem zur Druckerzeugung mit Flüssigkeit.

Im Unterdruckbetrieb (z. B. bei der Vorbereitung des Systems) wird der Flüssigkeitsstrom durch Ansaugen umgelenkt: Die Flüssigkeit wird über die beiden Auslässe angesaugt und zum Einlass und Behälter geleitet.

### 4.2 Montage

Um ein Auslaufen der Flüssigkeit zu verhindern, muss die richtige O-Ring-Dichtung (3) am Einlass angebracht werden. Schrauben Sie den Behälter (im Uhrzeigersinn) in den mit RESERVOIR gekennzeichneten Einlass.

**Hinweis:** Zur Prüfung der Pumpe bei der Herstellung wird vollentsalztes Wasser verwendet. Beim Versand kann das System deshalb noch Spuren des vollentsalzten Wassers enthalten.

### 4.3 Befüllen

1. Schrauben Sie die Sicherungsmutter (1) des Behälterdeckels ab, und entfernen Sie den Deckel (2).
2. Füllen Sie saubere, empfohlene Flüssigkeit ein, bis der Behälter etwa zu 2/3 voll ist.
3. Bringen Sie den Behälterdeckel wieder an, und ziehen Sie die Sicherungsmutter (1) des Deckels fest.

- Schließen Sie die erforderlichen Leitungen und Geräte an die Auslässe an.

#### 4.4 Vorbereitung des Systems

Zwei Methoden stehen zur Verfügung: Unterdruckerzeugung, um die Pumpe zu entlüften, oder Vorfüllen des Systems.

**Hinweis:** Falls Luft im System verbleibt, kann der volle Druck nicht erreicht werden, da die Luft in der Flüssigkeit komprimiert wird. Deshalb muss die Systemflüssigkeit vollständig entlüftet werden.

Bei beiden Vorbereitungsmethoden muss die Pumpe senkrecht gehalten werden, damit die Entlüftungsöffnung (4) in Flüssigkeit getaucht bleibt. Durch diese Entlüftungsöffnung (4) darf auf keinen Fall Luft in das System gelangen.

##### 4.4.1 Unterdruckerzeugung (Abbildung A2)

- Schließen Sie die Ausrüstung wie unter „Betrieb“ auf Seite 8 beschrieben an.
- Luft kann mithilfe der Unterdruckfunktion der Pumpe abgeführt werden.  
**Hinweis:** Diese Methode sollte nicht bei Geräten verwendet werden, die auf Unterdruck reagieren.
- Drehen Sie den Mehrwegehahn bis zum Anschlag entgegen dem Uhrzeigersinn heraus (Unterdruckstellung).
- Drehen Sie den Volumenregler bis zum Anschlag entgegen dem Uhrzeigersinn heraus.
- Lassen Sie die Pumpe laufen, bis keine Luftblasen mehr im Behälter zu sehen sind. (Damit wird Unterdruck im System erzeugt.)
- Drehen Sie den Mehrwegehahn vollständig hinein. (Damit wird der Unterdruck aufgehoben und das System schnell mit Flüssigkeit aus dem Behälter gefüllt.) Es wird empfohlen, einen geringen Hydraulikdruck zu erzeugen, dann diesen Druck abzulassen und die oben beschriebene Unterdruck-Vorbereitungssequenz ein zweites Mal zu wiederholen, um zu überprüfen, dass sämtliche Luft aus dem System entfernt wurde.
- Die Pumpe und das angeschlossene Gerät sind jetzt betriebsbereit.

##### 4.4.2 Vorfüllen

- Schließen Sie das Gerät wie unter „Betrieb“ auf Seite 8 beschrieben an.
- Drehen Sie den Mehrwegehahn bis zum Anschlag im Uhrzeigersinn hinein.
- Lösen Sie die Sicherungsmutter (1) des Behälterdeckels, um den Deckel (2) zu öffnen, und lassen Sie Umgebungsluft in den oberen Teil des Behälters strömen.
- Öffnen Sie das Entlüftungsventil am zu prüfenden Gerät.
- Betätigen Sie vorsichtig die Scherengriffe, um das System zu befüllen. Stoppen Sie den Pumpvorgang, sobald Flüssigkeit aus dem Entlüftungsventil austritt.
- Schließen Sie das Entlüftungsventil am zu prüfenden Gerät.
- Falls erforderlich, füllen Sie saubere Flüssigkeit nach, bis der Behälter zu 2/3 voll ist.
- Fixieren Sie den Behälterdeckel, indem Sie die Sicherungsmutter (1) des Deckels festziehen.

- Die Pumpe und das angeschlossene Gerät sind jetzt betriebsbereit.

#### 4.5 Erzeugen des Hydraulikdrucks

##### (Abbildung A1)

**Hinweis:** Durch die Druckbeaufschlagung einer Flüssigkeit wird Wärme erzeugt. Die Erwärmung oder Abkühlung einer Flüssigkeit in einem geschlossenen Raum bewirkt eine Druckänderung. Warten Sie, bis sich die Temperatur stabilisiert.

- Stellen Sie bei Bedarf das Überdruckventil ein, siehe nächsten Abschnitt.
- Öffnen Sie den Mehrwegehahn (7) durch Drehen um 1 Umdrehung entgegen dem Uhrzeigersinn.
- Drehen Sie den Volumenregler (3) vollständig heraus (entgegen dem Uhrzeigersinn).
- Schließen Sie den Mehrwegehahn (7).
- Betätigen Sie die Scherengriffe (5), um den Anfangsdruck zu erzeugen.
- Drehen Sie dann den Volumenregler (3) im Uhrzeigersinn, um den erforderlichen Druck zu erzeugen. Warten Sie danach, bis sich die Temperatur stabilisiert hat.
- Um den Druck auf den gewünschten Wert zu verringern, drehen Sie den Volumenregler (3) heraus (entgegen dem Uhrzeigersinn).
- Drehen Sie nach Abschluss des Vorgangs den Volumenregler (3) vollständig heraus (entgegen dem Uhrzeigersinn), und drehen Sie den Mehrwegehahn (7), um den Druck aus der Pumpe abzulassen. Trennen Sie alle angeschlossenen Leitungen und Geräte.

#### 4.6 Einstellen des Überdruckventils

##### (Abbildung A3)

Das Überdruckventil kann auf einen Druck zwischen 30 und 700 bar eingestellt werden.



**ACHTUNG** Der Druckwert von 700 bar darf nicht überschritten werden; andernfalls werden die inneren Dichtungen des Überdruckventils und der PV411A beschädigt.

Wenn der Systemdruck den eingestellten Druck übersteigt, öffnet sich das Überdruckventil und lässt Flüssigkeit durch den Einlass in den Behälter ab. Wenn der Systemdruck unter den eingestellten Druck fällt, schließt sich das Überdruckventil.

##### Legende für Abbildung A3

- Überdruckventil-Halteschraube (2 Stück)
- Überdruckventil-Sicherungsmutter (mit Linksgewinde)
- Überdruckventil-Spannmutter (mit Linksgewinde)

##### 4.6.1 So stellen Sie das Überdruckventil ein:

- Schließen Sie eine geeignete Druckanzeigeeinheit an Auslass (2) oder (6) an (Abbildung A1). Verschließen Sie den nicht verwendeten Anschluss mit einem Blindstopfen.
- Erhöhen Sie den Druck, bis sich das Überdruckventil öffnet.
- Lösen Sie die beiden Überdruckventil-Halteschrauben (1).
- Lösen Sie die Überdruckventil-Spannmutter (2), indem Sie sie im Uhrzeigersinn drehen.
- Drehen Sie die Überdruckventil-Spannmutter (3), um den Überdruck einzustellen.



So erhöhen Sie den Druck: Drehen Sie die Überdruckventil-Spannmutter (3) entgegen dem Uhrzeigersinn.

So verringern Sie den Druck: Drehen Sie die Überdruckventil-Spannmutter (3) im Uhrzeigersinn.

- Halten Sie nach der Einstellung des Überdruckventils die Spannmutter (3) in Position, und ziehen Sie die Sicherungsmutter (2) fest.

**Hinweis:** Die Sicherungsmutter hat ein Linksgewinde.

- Prüfen Sie die Funktion des Überdruckventils. Stellen Sie es bei Bedarf zurück.
- Fixieren Sie die Sicherungsmutter, indem Sie die beiden Halteschrauben (1) festziehen.

#### 4.7 Fehlersuche

Wenn der Systemdruck abfällt, prüfen Sie folgende Punkte:

- Vergewissern Sie sich, dass sich der Mehrwegehahn (Abbildung A1) (7) in der richtigen Stellung befindet und ordnungsgemäß festgezogen ist.
- Warten Sie nach der Druckerzeugung, bis sich die Temperatur stabilisiert hat. Je größer das Systemvolumen ist, desto länger dauert dieser Vorgang.
- Überprüfen Sie die Adapter, flexiblen Leitungen und Anschlüsse zwischen der Pumpe und den zu prüfenden Geräten auf undichte Stellen. Ziehen Sie lose Verbindungen fest, und tauschen Sie verschlissene oder beschädigte Dichtungen aus.
- Wenn der Volumenregler im Hydraulikbetrieb vollständig eingedreht ist, der Maximaldruck aber nicht erreicht werden kann, oder Druck zwar erzeugt werden kann, jedoch anfänglich abfällt, ist wahrscheinlich Luft im System eingeschlossen. Belassen Sie alle Anschlüsse an der Pumpe und am zu prüfenden Gerät und bereiten Sie das System erneut mit der Unterdruckmethode vor. Wiederholen Sie danach den gewünschten Vorgang.
- Prüfen Sie die Druckeinstellung des Überdruckventils.

Falls aus irgendeinem Grund eine Störung an der Pumpe auftritt, sollten Sie das Gerät an eine zugelassene Vertretung schicken.

## 5. Allgemeine technische Daten



**INFORMATION** Die Hydrauliköle müssen mit folgenden Werkstoffen verträglich sein: **Edelstahl, eloxiertes Aluminium, Nitrilkautschuk, PTFE, Polypropylen, Delrin, Acryl und Nylon.**

Gegenstand	Spezifikation
Pneumatik-Druckbereich	0 bis 60 bar
Vakuum-Druckbereich	0 bis -0,95 bar <sup>a</sup>
Hydraulik-Druckbereich	0 bis 700 bar
Maximaler sicherer Betriebsdruck	700 bar
Druckanschlüsse	1/4-Zoll BSP parallel mit Innengewinde (1/4-Zoll NPT mit Innengewinde in den USA)
Maximale Viskosität des Hydrauliköls	150 cSt bei 40 °C
Empfohlene Hydrauliköle	Vollentsalztes Wasser oder mineralische Öle (SAE 40W, ISO-Viskositätsklasse 150)
Abmessungen (Länge x Breite x Tiefe)	260 mm x 150 mm x 100 mm
Gewicht (ca.)	1,2 kg

a. Diese Werte setzen einen Umgebungsdruck von 1 bar voraus und variieren je nach Luftdruck.

## 6. Rücksendeverfahren

Falls das Gerät kalibriert werden muss oder betriebsunfähig ist, kann es an das nächstgelegene Druck-Servicecenter geschickt werden. Die Liste der Servicecenter finden Sie auf: <https://druck.com/service>.

Wenden Sie sich an unseren Kundendienst, um eine Waren (RGA)- oder Material (RMA)-Retourennummer zu erhalten. Geben Sie bei Anforderung einer RGA oder RMA folgende Informationen an:

- Produkt (z. B. PV411A)
- Seriennummer.
- Angaben zum Fehler/zu den erforderlichen Arbeiten.
- Anforderungen für die Rückverfolgbarkeit der Kalibrierung.
- Betriebsbedingungen.

### 6.1 Sicherheitshinweise



**INFORMATION** Die Wartung des Produkts durch unbefugte Personen führt zum Erlöschen der Garantie und kann die weitere Funktion des Geräts gefährden.

Sie müssen Druck informieren, wenn das Produkt mit Gefahren- oder Giftstoffen in Berührung gekommen ist.

Teilen Sie uns bitte auch die COSHH-Referenzen sowie die beim Umgang mit dem Produkt erforderlichen Sicherheitsmaßnahmen mit.

### 6.2 Autorisierte Servicevertretungen

Die Liste der Servicecenter finden Sie auf: <https://druck.com/service>.



## Introducción

Este manual contiene las instrucciones de uso de la bomba de mano neumática/hidráulica PV411A compatible con los requisitos de funcionamiento en línea. El PV411A sustituye al PV411.

## Seguridad

El fabricante ha diseñado este equipo para ofrecer un funcionamiento seguro cuando se utiliza conforme a los procedimientos que se detallan en este manual. El usuario no debe utilizar el equipo con ningún fin distinto al que se indica. Utilice únicamente los fluidos hidráulicos que se indican en las especificaciones.

Este manual contiene las instrucciones de seguridad y de uso que se deben seguir para garantizar la seguridad del equipo y para mantenerlo en buenas condiciones de funcionamiento. Las instrucciones de seguridad, en forma de advertencias o precauciones, protegen al usuario y al equipo contra lesiones y daños.

Los usuarios deben comprobar que no haya ningún espacio visible ni holgura entre las dos partes de plástico del instrumento PV411A antes de utilizarlo. En caso de espacio visible o de holgura, no lo utilice y póngase en contacto con el centro de servicio técnico. Consulte Sección 6.2 en la página 17 para obtener más información.

Todos los procedimientos de este manual deben ser llevados a cabo por técnicos convenientemente cualificados<sup>1</sup> y con arreglo a las buenas prácticas de ingeniería.

### Presión

No aplique una presión superior a la presión máxima segura de trabajo que se indica en las especificaciones.

### Mantenimiento

El mantenimiento del equipo se debe realizar de acuerdo con los procedimientos indicados en esta publicación. Todo procedimiento adicional del fabricante deberá ser realizado por agentes de servicio técnico autorizados o por los departamentos de servicio técnico del fabricante.

### Asesoramiento técnico

Si necesita asesoramiento técnico, diríjase al fabricante o a su filial.

### Símbolos

El equipo está marcado con los siguientes símbolos:

Símbolo	Descripción
---------	-------------



Este símbolo en el equipo indica una advertencia y que el usuario debe consultar el manual del usuario.

### Abreviaturas

Relación de abreviaturas utilizadas en esta publicación.

**Nota:** Las abreviaturas son invariables en singular y plural.

Abreviatura	Descripción
-------------	-------------

°C	grados Celsius
----	----------------

BSP	British standard pipe thread (estándar británico para roscas de tubos)
-----	--

cm	centímetro
----	------------

Abreviatura	Descripción
-------------	-------------

COSHH	Control de sustancias peligrosas conforme a la normativa sanitaria
-------	--

cSt	centi-Stoke
-----	-------------

°F	grados Fahrenheit
----	-------------------

inHg	pulgadas de mercurio
------	----------------------

lb	libras
----	--------

ISO	International Standards Organisation (Organización Internacional de Estandarización)
-----	--

kg	kilogramo
----	-----------

m	metro
---	-------

mm	milímetro
----	-----------

MSDS	Ficha de datos de seguridad (Material Safety Data Sheet)
------	--

NPT	National Pipe Thread (Estándar norteamericano para roscas de tubos)
-----	---

VDP	válvula de descarga de presión
-----	--------------------------------

psi	libras por pulgada cuadrada
-----	-----------------------------

PTFE	politetrafluoroetileno
------	------------------------

SAE	Society of Automotive Engineers (Sociedad de Ingenieros de Automoción)
-----	--

UP	Unidad probada
----	----------------

## 1. Introducción

La bomba de mano PV411A puede generar presión neumática y vacío o presión hidráulica. El mecanismo de tijera produce presión neumática y vacío, pero si se acciona en el modo hidráulico, produce presión hidráulica para el cebado del sistema.

### 1.1 Bomba neumática (Figura A1)

La válvula selectora (7) vacía el sistema en la atmósfera cuando se cambia de la selección de presión a la de vacío. El accionamiento del mecanismo de tijera (5) produce la carrera de bombeo que genera la presión.

El regulador de volumen (3) permite realizar pequeños ajustes de la presión del sistema.

### 1.2 Bomba hidráulica (Figura A1)

La válvula selectora (7) vacía el sistema en el depósito cuando se cambia de la selección de presión a la de vacío (se utiliza en el proceso de cebado). El regulador de volumen (3) genera la presión deseada en el sistema. El depósito de fluido (consulte la Figura A2), enroscado en la lumbrera de entrada (1) y con la indicación RESERVOIR en la parte superior de la bomba de mano, completa el circuito hidráulico. Es posible ajustar la válvula de descarga de presión (8) para definir una presión de 30 a 700 bar (500 a 10 000 psi).

1. Un técnico cualificado debe contar con todos los conocimientos, la documentación, los equipos de prueba y las herramientas especiales que se necesitan para trabajar con este equipo.

## 2. Funcionamiento



**ADVERTENCIA** Antes de aplicar presión, compruebe que todas las conexiones sean correctas y que el interior del equipo esté limpio y en perfecto estado.

Asegúrese de que todos los equipos estén ajustados al rango de presión correcto.

No supere la presión máxima de trabajo que se indica en las especificaciones.

Respete las precauciones de higiene y seguridad pertinentes.



**PRECAUCIÓN** Si se utiliza cinta de PTFE para sellar roscas NPT, asegúrese de utilizar únicamente la cantidad suficiente para conseguir sellar la presión. Si se usa demasiada cinta, podrían desprenderse partículas durante el proceso de acoplamiento del conector y penetrar en la bomba, lo que podría dar lugar a la pérdida de rendimiento y a fugas de presión.

**Nota:** Siempre que sea posible, utilice juntas tóricas en las lumbreras de conexión BSP; éste es el método de estanqueidad recomendado.

### Leyenda de la Figura A1

1. Lumbrera de entrada (depósito)
2. Conexión de salida
3. Regulador de volumen
4. Regulador de límite
5. Mecanismo de tijera
6. Conexión de salida
7. Válvula selectora
8. Válvula de descarga de presión (consulte la Figura A3)

### 2.1 Configuración de presión/vacío (Figura A1)

En el modo de presión, el aire/fluido entra por la lumbrera de entrada (1) de la parte superior de la bomba y se expulsa por las dos lumbreras de salida (2 y 6).

En modo de vacío, la circulación se invierte y el aire/fluido entra por las lumbreras de salida superior y trasera (2 y 6) y se expulsa por la lumbrera de entrada (1).

### 2.2 Conexión de la bomba



**ADVERTENCIA** Apoye la tuerca de la lumbrera de presión de la unidad PV411A cuando conecte y desconecte instrumentos. Consulte en la Figura A4 el método recomendado para apoyar la tuerca de la lumbrera de presión de la unidad PV411A.

El sistema se puede conectar directamente a la bomba o mediante los distintos adaptadores que se suministran con el equipo de verificación opcional.

#### 2.2.1 Conexión directa

Las lumbreras BSP admiten cualquier conector macho de ¼ BSP de longitud adecuada, con una junta tórica en la base de la lumbrera o con una junta adherida en la parte superior. Instale un tapón de cierre adecuado si no utiliza una lumbrera.

Las lumbreras NPT admiten cualquier conector macho de ¼ NPT de longitud adecuada. Instale un tapón de cierre adecuado si no utiliza una lumbrera. Si se utiliza cinta de

PTFE para sellar roscas NPT, asegúrese de utilizar únicamente la cantidad suficiente para conseguir sellar la presión. Si se usa demasiada cinta, podrían desprenderse partículas durante el proceso de acoplamiento del conector y penetrar en la bomba, lo que podría dar lugar a la pérdida de rendimiento y a fugas de presión.

#### 2.2.2 Adaptadores giratorios (opcionales)

El adaptador giratorio único de ¼ BSP se puede conectar a una variedad de adaptadores fijos. Utilice la empuñadura estriada para apretar a mano (girando hacia la derecha) el adaptador giratorio hasta que quede totalmente insertado.

#### 2.2.3 Cabezal de bomba basculante

El cabezal de la bomba puede girar 140° para ofrecer un ángulo de visión óptimo y funcionar sobre un banco. Si la bomba se sitúa sobre un banco, se puede aplicar una fuerza mayor al mecanismo de tijera. Los topes internos evitan el exceso de rotación del cabezal de la bomba.

**Nota:** No aplique una fuerza excesiva para hacer girar el cabezal de la bomba.

### 2.3 Válvula selectora

Presión: Gire con la mano la válvula selectora totalmente hacia la derecha (posición interior).

Vacío: Gire con la mano la válvula selectora totalmente hacia la izquierda (posición exterior).

Ventilación: Gire lentamente la válvula selectora hasta la posición central.



**INFORMACIÓN** Evite dañar el instrumento probado al utilizar el regulador de volumen para liberar la presión hidráulica lentamente.

### 2.4 Regulador de límite del mecanismo de tijera (Figura A1)

Al girar hacia la derecha el regulador de límite (4), se reduce la carrera del mecanismo de tijera (5); si el regulador (4) se gira hacia la izquierda, la carrera aumenta.

Para generar la presión neumática máxima, gire el regulador de límite totalmente hacia la izquierda.

## 3. Funcionamiento en modo neumático

### 3.1 Regulador de volumen

El regulador de volumen puede funcionar en distintos modos:

#### 3.1.1 Baja presión

1. Con la válvula selectora en la posición de ventilación (abierta), gire el regulador de volumen totalmente hacia la izquierda (posición exterior).
2. Gire la válvula selectora totalmente hacia la derecha (posición interior) para seleccionar la presión.
3. Gire el regulador de volumen hacia la derecha para generar presión.

#### 3.1.2 Alta presión

1. Gire el regulador de volumen hasta la posición intermedia. En esta posición, se puede ajustar con precisión la presión generada.
2. Utilice el mecanismo de tijera para generar una presión aproximada. A continuación, gire el regulador de volumen hacia la derecha (posición interior) para aumentar la presión, o hacia la izquierda (posición exterior) para reducirla.

### 3.1.3 Vacío

1. Gire la válvula selectora totalmente hacia la izquierda (posición exterior).
2. Gire el regulador de volumen hasta la posición intermedia. En esta posición, se puede ajustar con precisión el vacío generado.
3. Utilice el mecanismo de tijera para generar un vacío aproximado. A continuación, gire el regulador de volumen hacia la derecha (posición interior) para reducir el vacío, o hacia la izquierda (posición exterior) para aumentarlo.

Para obtener un nivel bajo de vacío, utilice únicamente el regulador de volumen.

## 3.2 Generación de presión neumática y de vacío (Figura A1)

Conecte la bomba como se indica en "Conexión de la bomba" en la página 14.

**Nota:** La compresión de un gas produce calor. El calentamiento o enfriamiento del gas en un volumen cerrado provoca un cambio de presión. Es importante dejar transcurrir tiempo suficiente para que el gas se enfríe y la presión se establezca.

El bombeo necesario para generar una presión determinada depende del volumen del sistema. Por tanto, mantenga al mínimo el volumen del sistema.

### 3.2.1 Presión

1. Gire la válvula selectora (7) totalmente hacia la derecha (posición interior).
2. Utilice el mecanismo de tijera (5) para generar la presión aproximada, deje transcurrir tiempo suficiente para la estabilización térmica.
3. Si es necesario, utilice al regulador de volumen (3) para ajustar la presión.
4. Una vez alcanzada la presión deseada, utilice el mecanismo de tijera (5) para obtener una presión superior. Alternativamente, libere la presión a la atmósfera girando lentamente hacia la izquierda la válvula selectora (7) hasta la posición central.
5. Una vez completada la operación, despresurice la bomba y desconecte los tubos y el equipo.

### 3.2.2 Vacío

1. Gire la válvula selectora totalmente hacia la izquierda (posición exterior).
2. Utilice el mecanismo de tijera (5) para generar el vacío aproximado, deje transcurrir tiempo suficiente para la estabilización térmica.
3. Si es necesario, utilice al regulador de volumen (3) para ajustar el vacío.
4. Una vez alcanzado el vacío deseado, utilice el mecanismo de acción de tijera (5) para obtener un vacío superior. Alternativamente, deje entrar la presión atmosférica en el vacío girando lentamente hacia la izquierda la válvula selectora (7) hasta la posición central.
5. Una vez completada la operación, despresurice la bomba y desconecte los tubos y el equipo.

## 4. Funcionamiento en modo hidráulico



**ADVERTENCIA** Tenga en cuenta todas las precauciones y procedimientos de seguridad indicados en los reglamentos locales.



**PRECAUCIÓN** No mezcle fluidos hidráulicos.

Utilice únicamente fluidos compatibles; consulte las especificaciones.

Instale juntas adecuadas en las conexiones de presión.

La bomba puede resultar dañada si se conectan equipos contaminados. Evite la contaminación por partículas.

Después de utilizar la bomba, debe considerarse contaminada de fluido hidráulico.

**Nota:** Siempre que sea posible, utilice juntas tóricas en las lumbreras de conexión BSP; éste es el método de estanqueidad recomendado.

### Legenda de la Figura A2

1. Tuerca de fijación de la tapa del depósito
2. Tapa del depósito
3. Junta tórica
4. Orificio de purga

### 4.1 Depósito de fluido (Figura A2)

El cuerpo principal del depósito es de material acrílico transparente y permite ver claramente su contenido.

El depósito se puede quitar de la bomba sin necesidad de vaciar el fluido, ya que dispone de una conexión de cierre automático que evita las pérdidas. La tapa del depósito (2) accionada por resorte se cierra herméticamente en condiciones de presión atmosférica, pero libera el exceso de presión interna sin causar daño en caso de presurización inadvertida.

El depósito se conecta a la lumbrera de entrada de la parte superior de la bomba y suministra fluido al sistema de la bomba para generar presión.

En el modo de vacío (para el cebado del sistema), la circulación del fluido se invierte: el fluido entra por las dos lumbreras de salida y sale por la lumbrera de entrada y el depósito.

### 4.2 Instalación

Asegúrese de que la lumbrera de entrada esté equipada con una junta tórica (3) adecuada para evitar pérdidas. Enrosque el depósito (girando hacia la derecha) en la lumbrera de entrada con la indicación RESERVOIR.

**Nota:** En la fábrica se utiliza agua desmineralizada para probar la bomba. Cuando reciba el sistema, podrá apreciar rastros de agua desmineralizada.

### 4.3 Llenado

1. Desenrosque la tuerca de fijación (1) de la tapa del depósito y quite la tapa del depósito (2).
2. Utilice fluido limpio del tipo recomendado para llenar el depósito aproximadamente a 2/3 de su capacidad.
3. Vuelva a colocar la tapa del depósito y apriete la tuerca de fijación (1) correspondiente.
4. Conecte los tubos y equipos necesarios a las lumbreras de salida.

## 4.4 Cebado del sistema

Hay dos métodos: cebado con vacío para extraer el aire o llenado previo del sistema.

**Nota:** Si queda aire en el sistema, no será posible alcanzar la presión máxima, ya que el aire del fluido se comprime. Por tanto, es necesario eliminar todo el aire del fluido del sistema.

Ambos métodos de cebado requieren que la bomba esté en posición vertical para mantener el orificio de purga (4) cubierto por el fluido. Evite la entrada de aire en el sistema por el orificio de purga (4).

### 4.4.1 Cebado con vacío (Figura A2)

1. Conecte el equipo como se indica en "Funcionamiento" en la página 14.
2. Puede eliminar el aire con la función de vacío de la bomba.  
**Nota:** Este método no se debe utilizar con equipos sensibles al vacío.
3. Gire la válvula selectora totalmente hacia la izquierda (posición de vacío).
4. Gire la válvula reguladora de volumen totalmente hacia la izquierda (posición exterior).
5. Bombee hasta que dejen de aparecer burbujas en el depósito (esta operación genera un vacío en el sistema).
6. Gire totalmente la válvula selectora hasta la posición interior (esta acción libera el vacío y llena rápidamente el sistema con el fluido del depósito). Se recomienda generar una pequeña presión hidráulica y después liberarla para repetir la secuencia de cebado anterior y verificar así que se haya eliminado el aire del sistema.
7. La bomba y el sistema conectado están listos para su uso.

### 4.4.2 Llenado previo

1. Conecte el equipo como se indica en "Funcionamiento" en la página 14.
2. Gire la válvula selectora totalmente hacia la derecha (posición interior).
3. Afloje la tuerca de fijación (1) para abrir la tapa del depósito (2) y deje entrar la presión atmosférica en la parte superior del depósito.
4. Abra la válvula de purga de la UP.
5. Accione con cuidado el mecanismo de tijera para llenar el sistema. Deje de bombear cuando el fluido salga por la válvula de purga.
6. Cierre la válvula de purga de la UP.
7. Si es necesario, rellene el depósito hasta 2/3 de su capacidad con fluido limpio.
8. Cierre la tapa del depósito apretando su tuerca de fijación (1).
9. La bomba y el sistema conectado están listos para su uso.

## 4.5 Generación de presión hidráulica (Figura A1)

**Nota:** La compresión de un fluido genera calor. El calentamiento o enfriamiento del fluido en un volumen cerrado provoca un cambio de presión. Deje transcurrir tiempo suficiente para la estabilización térmica.

1. Si es necesario, ajuste la VDP. Consulte la sección siguiente.

2. Abra la válvula selectora (7) girando una vuelta hacia la izquierda.
3. Gire totalmente el regulador de volumen (3) hasta la posición exterior (hacia la izquierda).
4. Cierre la válvula selectora (7).
5. Utilice el mecanismo de tijera (5) para generar la presión inicial.
6. A continuación, gire el regulador de volumen (3) hacia la derecha para obtener la presión deseada, deje transcurrir tiempo suficiente para la estabilización térmica.
7. Para reducir la presión, gire el regulador de volumen (3) hacia la izquierda (posición exterior) hasta obtener la presión deseada.
8. Una vez completada la operación, gire totalmente el regulador de volumen (3) hasta la posición exterior (hacia la izquierda) y gire la válvula selectora (7) para despresurizar la bomba. Desconecte la bomba de los tubos y el equipo.

## 4.6 Ajuste de la válvula de descarga de presión (Figura A3)

La válvula de descarga de presión (VDP) se puede ajustar a una presión de 30 a 700 bar (500 a 10 000 psi).



**PRECAUCIÓN** No supere 700 bar (10 000 psi). Podría dañar las juntas internas de la VDP y el PV411A.

Si la presión del sistema es superior a la establecida, la VDP se abre y expulsa fluido por la lumbrera de entrada al depósito. Cuando la presión del sistema desciende por debajo de la presión establecida, la VDP se cierra.

### Legenda de la Figura A3

1. Tornillo de fijación de la VDP (2 unidades)
2. Tuerca de fijación de la VDP (con rosca a izquierdas)
3. Tuerca de ajuste de la VDP (con rosca a izquierdas)

### 4.6.1 Para ajustar la VDP:

1. Conecte un indicador de presión adecuado a la lumbrera de salida (Figura A1) (2) o (6). Coloque un tapón en la lumbrera no utilizada.
2. Aumente la presión hasta que la válvula de descarga se active.
3. Afloje los dos tornillos de fijación de la VDP (1).
4. Afloje la tuerca de fijación de la VDP (2) girándola hacia la derecha.
5. Ajuste la presión de descarga girando la tuerca de ajuste de la VDP (3).

Para aumentar la presión: Gire la tuerca de ajuste de la VDP (3) hacia la izquierda.

Para reducir la presión: Gire la tuerca de ajuste de la VDP (3) hacia la derecha.

6. Después de ajustar la VDP, mantenga la tuerca de ajuste (3) en su posición y apriete la tuerca de fijación (2).

**Nota:** Nota: la tuerca de fijación tiene una rosca a izquierdas.

7. Compruebe el funcionamiento de la VDP. Si es necesario, vuelva a ajustar la VDP.
8. Apriete los dos tornillos de fijación (1) para sujetar la tuerca de fijación.

## 4.7 Localización de averías

Si el sistema pierde presión, haga las siguientes comprobaciones:

1. Compruebe que la válvula selectora (Figura A1) (7) esté en la posición correcta y bien apretada.
2. Deje transcurrir tiempo suficiente después de generar presión para que la temperatura se estabilice. Cuanto mayor sea el volumen del sistema, mayor será el tiempo necesario para la estabilización térmica.
3. Compruebe que no haya pérdidas en los adaptadores, los tubos flexibles y las conexiones entre la bomba y el equipo probado. Apriete las uniones que no sean firmes y sustituya las juntas desgastadas o dañadas.
4. En el modo hidráulico, si el regulador de volumen se puede enroscar por completo pero no se alcanza la presión máxima, o si se alcanza pero no se puede retener, puede que haya aire atrapado en el sistema. Sin desconectar ninguna bomba ni conexión del dispositivo probado, vuelva a cebar siguiendo el método de vacío y repita.
5. Compruebe el ajuste de presión de la VDP.

Si se produce un fallo en la bomba por cualquier razón, se recomienda enviar el equipo a un agente autorizado.

## 5. Especificaciones generales



**INFORMACIÓN** Los líquidos hidráulicos deben ser compatibles con el acero inoxidable, aluminio anodizado, caucho nitrílico, PTFE, polipropileno, delrín, materiales acrílicos y nailon.

Elemento	Especificaciones
Rango de presión neumática	0 a 60 bar (0 a 600 psi)
Rango de presión de vacío	0 a -0,95 bar <sup>a</sup> (0 a 28,5 inHg) <sup>a</sup>
Rango de presión hidráulica	0 a 700 bar (0 a 10 000 psi)
Presión máxima segura de trabajo	700 bar (10.000 psi)
Conexiones de presión	1/4" BSP paralela hembra (1/4" NPT hembra en EE. UU.)
Viscosidad máxima del fluido hidráulico	150 cSt a 40°C (104°F)
Fluido hidráulico recomendado	Agua desmineralizada o aceites minerales (SAE 40W, grado de viscosidad ISO 150)
Dimensiones (longitud x ancho x fondo)	260 mm (10,2") x 150 mm (5,3") x 100 mm (3,7")
Peso (aproximado)	2,5 lb (1,2 kg)

a. Este valor corresponde a una presión atmosférica de 1 bar (14,5 psi) y varía en función de dicha presión.

## 6. Procedimiento de devolución de productos

Si es necesario calibrar la unidad o si ésta ha dejado de funcionar, devuélvala al centro de servicio técnico de Druck más cercano; consulte la lista en:

<https://druck.com/service>.

Póngase en contacto con el departamento de servicio técnico para obtener una autorización de devolución de

productos/materiales (RGA o RMA). Facilite la información siguiente en una RGA o RMA:

- Producto (p. ej., PV411A)
- Número de serie.
- Descripción de la avería/trabajo que se debe realizar.
- Requisitos de trazabilidad de la calibración.
- Condiciones de funcionamiento.

## 6.1 Precauciones de seguridad



**INFORMACIÓN** La reparación por parte de personal no autorizado afectará a la garantía y puede comprometer el buen funcionamiento del equipo.

Informe a Druck si el producto ha estado en contacto con cualquier sustancia peligrosa o tóxica.

Las referencias COSHH (control de sustancias peligrosas para la salud) (MSDS en EE.UU.) y precauciones que se deben adoptar para su manipulación.

## 6.2 Agentes de servicio técnico autorizados

Para obtener una lista de centros de servicio técnico:

<https://druck.com/service>.





## Introduction

Ce manuel fournit le mode d'emploi de la pompe à main hydraulique/pneumatique PV411A conformément aux exigences de fonctionnement en ligne. La PV411A remplace la PV411.

## Sécurité

Le fabricant a conçu cet appareil pour qu'il fonctionne en toute sécurité dans le cadre d'une utilisation conforme aux procédures détaillées dans ce manuel. L'utilisateur ne doit pas employer cet appareil à d'autres fins que celles spécifiées. Utiliser uniquement les fluides hydrauliques indiqués dans les spécifications.

Ce manuel contient des consignes de fonctionnement et de sécurité qu'il importe de respecter pour conserver l'appareil en bon état et garantir son fonctionnement en toute sécurité. Les consignes de sécurité sont des mises en garde ou des avertissements destinés à prémunir l'utilisateur contre les risques de blessure et à protéger l'appareil des dommages éventuels.

Les utilisateurs doivent vérifier qu'il n'y a aucun jeu ou espace visible entre les moitiés en plastique de la PV411A avant toute utilisation. Si un jeu ou espace visible est constaté, ne pas utiliser la pompe et contacter le centre de SAV local. Voir Section 6.2, page 23 pour des informations détaillées.

Faire appel à des techniciens qualifiés<sup>1</sup> et respecter les bonnes pratiques dans toutes les procédures décrites dans ce manuel.

## Pression

Ne pas appliquer une pression supérieure à la pression maximum de sécurité en service indiquée dans les spécifications.

## Entretien

L'appareil doit être entretenu conformément aux procédures détaillées dans ce document. Les autres procédures du fabricant doivent être exécutées par un centre de réparation agréé ou le centre de service du fabricant.

## Questions techniques

Contactez le fabricant ou son représentant pour toute question technique.

## Symboles

Cet appareil comporte les symboles suivants :

Symbole	Description
---------	-------------



Ce symbole, sur l'appareil, est un avertissement qui indique que l'utilisateur doit consulter le manuel d'utilisation.

## Abréviations

Les abréviations suivantes sont utilisées dans ce document.

**Remarque :** les abréviations sont identiques au singulier et au pluriel.

Abréviations	Description
°C	degré Celsius
BSP	filetage British Standard Pipe
cm	centimètre
COSHH	réglementations sur le contrôle des substances dangereuses pour la santé
cSt	centi Stoke
°F	degré Fahrenheit
inHg	pouce de mercure
lb	livre
ISO	Organisation internationale de normalisation
kg	kilogramme
m	mètre
mm	millimètre
FDS	fiche de données de sécurité
NPT	filetage National Pipe Thread
PRV	soupape de surpression
psi	livre par pouce carré
PTFE	polytétrafluoroéthylène
SAE	Society of Automotive Engineers
UUT	Unit Under Test (appareil à tester)

## 1. Introduction

La pompe à main PV411A génère soit une pression pneumatique et un vide, soit une pression hydraulique. Les poignées à effet de levier permettent la génération de pression pneumatique et de vide et, en mode hydraulique, de pression hydraulique pour l'amorçage du système.

### 1.1 Pompe pneumatique (Figure A1)

Un sélecteur (7) met le système à l'air libre entre les sélections de pression et de vide. L'activation des poignées à effet de levier (5) fournit la course de pompage nécessaire à la génération de la pression.

Un régleur de volume (3) permet un réglage fin de la pression du système.

### 1.2 Pompe hydraulique (Figure A1)

Le sélecteur (7) met le système à la pression du réservoir entre les sélections de pression et de vide (utilisé dans le processus d'amorçage). Le régleur de volume (3) génère la pression système requise. Un réservoir de fluide (voir Figure A2), vissé sur l'orifice d'admission (1), identifié RESERVOIR, sur la partie supérieure de la pompe à main complète le circuit hydraulique. Une soupape de surpression (8) peut être réglée à une pression comprise entre 30 et 700 bar (500 et 10 000 psi).

1. Un technicien qualifié doit posséder les connaissances techniques, la documentation, le matériel de test et les outils spéciaux nécessaires pour effectuer les interventions requises sur cet appareil.

## 2. Utilisation



**AVERTISSEMENT** Avant d'appliquer la pression, vérifier les raccordements et la propreté à l'intérieur de l'appareil et s'assurer que ce dernier n'est pas endommagé.

S'assurer que l'ensemble du matériel peut fonctionner à la pression nominale adéquate.

Ne pas dépasser la pression de fonctionnement maximale indiquée dans les spécifications.

Respecter les consignes de santé et de sécurité concernées.



**ATTENTION** Si du ruban PTFE est utilisé pour réaliser l'étanchéité des filetages NPT, veiller à employer uniquement la quantité nécessaire à la réalisation de l'étanchéité à la pression. Si trop de ruban est utilisé, des particules risquent de se décoller lors du processus d'accouplement des connecteurs et de pénétrer dans la pompe, ce qui pourrait entraîner des baisses de performances de la pompe ou des pertes de pression.

**Remarque** : chaque fois que cela est possible, ajuster des joints toriques aux orifices de raccordement BSP (méthode d'étanchéité recommandée).

### Légende de la Figure A1

1. Orifice d'admission (réservoir)
2. Orifice de sortie
3. Régleur de volume
4. Régleur de limite
5. Poignées à effet de levier
6. Orifice de sortie
7. Sélecteur
8. Soupape de surpression (voir Figure A3)

### 2.1 Configuration pression/vide (Figure A1)

En mode pression, l'air/le fluide est aspiré par l'orifice d'admission (1) situé sur la partie supérieure de la pompe, et rejeté par les deux orifices de sortie (2 et 6).

En mode vide, l'écoulement d'air/de fluide est inversé et l'air/le fluide est aspiré par les orifices de sortie supérieur et arrière (2 et 6), puis expulsé par l'orifice d'admission (1).

### 2.2 Raccordement de la pompe



**AVERTISSEMENT** Immobiliser l'écrou de l'orifice de pression PV411A lors du branchement ou du débranchement des raccordements. Voir Figure A4 pour la méthode conseillée pour immobiliser l'écrou de l'orifice de pression PV411A.

Le raccordement peut s'effectuer directement sur la pompe ou par l'intermédiaire de différents adaptateurs fournis dans le kit de test en option.

#### 2.2.1 Direct

Les orifices BSP peuvent être équipés d'un raccord BSP mâle 1/4" dont l'étanchéité est assurée par un joint torique en bas de l'orifice ou une bague composite sur la partie supérieure. Placer des obturateurs adaptés sur les orifices non utilisés.

Les orifices NPT peuvent être équipés d'un raccord NPT mâle 1/4" de longueur quelconque. Placer des obturateurs

adaptés sur les orifices non utilisés. Si du ruban PTFE est utilisé pour réaliser l'étanchéité des filetages NPT, veiller à employer uniquement la quantité nécessaire à la réalisation de l'étanchéité à la pression. Si trop de ruban est utilisé, des particules risquent de se décoller lors du processus d'accouplement des connecteurs et de pénétrer dans la pompe, ce qui pourrait entraîner des baisses de performances de la pompe ou des pertes de pression.

#### 2.2.2 Adaptateurs à rotule (en option)

L'adaptateur à rotule simple BSP 1/4" se raccorde sur différents adaptateurs fixes. En utilisant le bord moleté, serrer à la main (dans le sens des aiguilles d'une montre) l'adaptateur à rotule jusqu'à ce qu'il s'engage à fond.

#### 2.2.3 Tête de pompe à rotule

La tête de pompe pivote sur 140°, ce qui offre un angle de vision optimal pour un fonctionnement sur banc. Disposer la pompe sur un banc permet d'appliquer une force plus importante aux poignées à effet de levier. Les butées d'arrêt internes empêchent une rotation plus importante de la tête de pompe.

**Remarque** : ne pas exercer une force excessive en faisant pivoter la tête de pompe.

### 2.3 Sélecteur

Pression : tourner le sélecteur à fond dans le sens des aiguilles d'une montre en position (in) - serrer à la main.

Vide : tourner le sélecteur à fond dans le sens inverse des aiguilles d'une montre en position (out) - serrer à la main.

Mise à l'air libre : amener lentement le sélecteur en position centrale.



**INFORMATION** Pour ne pas risquer d'endommager l'instrument testé, utiliser le régleur de volume pour évacuer la pression hydraulique.

### 2.4 Régleur de limite des poignées à effet de levier (Figure A1)

Tourner le régleur de limite (4) dans le sens des aiguilles d'une montre pour réduire la course des poignées à effet de levier (5) ou dans le sens inverse des aiguilles d'une montre pour accroître la course.

Pour générer la pression pneumatique maximale, tourner le régleur de limite à fond dans le sens inverse des aiguilles d'une montre.

## 3. Fonctionnement pneumatique

### 3.1 Régleur de volume

Le régleur de volume peut être utilisé dans différents modes :

#### 3.1.1 Basse pression

1. Lorsque le sélecteur est placé sur mise à l'air libre (open), tourner le régleur de volume à fond dans le sens inverse des aiguilles d'une montre (out).
2. Tourner le sélecteur à fond dans le sens des aiguilles d'une montre en position (in) pour sélectionner la pression.
3. Tourner le régleur de volume dans le sens des aiguilles d'une montre pour générer la pression.

#### 3.1.2 Haute pression

1. Tourner le régleur de volume jusqu'à mi-course. À cette position, il est possible de régler finement la pression générée.
2. À l'aide des poignées à effet de levier, générer la pression approximative ; puis tourner le régleur de

volume dans le sens des aiguilles d'une montre (in) pour augmenter la pression ou dans le sens inverse des aiguilles d'une montre (out) pour la diminuer.

### 3.1.3 Vide

1. Tourner le sélecteur à fond dans le sens inverse des aiguilles d'une montre en position (out).
2. Tourner le réglage de volume jusqu'à mi-course. À cette position, il est possible de régler finement la pression générée.
3. À l'aide des poignées à effet de levier, générer le vide approximatif ; puis tourner le réglage de volume dans le sens des aiguilles d'une montre (in) pour diminuer le vide ou dans le sens inverse des aiguilles d'une montre (out) pour l'accroître.

Pour obtenir un faible vide, utiliser uniquement le réglage de volume.

## 3.2 Génération de pression pneumatique et de vide (Figure A1)

Raccorder la pompe comme indiqué « Raccordement de la pompe », page 20.

**Remarque :** la compression d'un gaz est exothermique. Le chauffage ou le refroidissement d'un gaz dans une enceinte fermée entraîne une variation de la pression. Il importe de laisser le gaz chauffé se refroidir et la pression s'équilibrer.

Le pompage nécessaire pour générer une pression dépend du volume du système. Par conséquent, maintenir le volume du système au minimum.

### 3.2.1 Pression

1. Tourner le sélecteur (7) à fond dans le sens des aiguilles d'une montre en position (in).
2. Actionner les poignées à effet de levier pour générer la pression approximative, puis laisser la température s'équilibrer.
3. Si nécessaire, utiliser le réglage de volume (3) pour ajuster la pression nécessaire.
4. Une fois que la pression requise est atteinte, actionner les poignées à effet de levier (5) pour générer une pression plus importante. Autrement, laisser échapper la pression à l'air libre en tournant lentement (dans le sens inverse des aiguilles d'une montre) le sélecteur (7) jusqu'à la position centrale.
5. À la fin de l'opération, dépressuriser la pompe et débrancher les canalisations et le matériel.

### 3.2.2 Vide

1. Tourner le sélecteur (7) à fond dans le sens inverse des aiguilles d'une montre en position (out).
2. Actionner les poignées à effet de levier (5) pour générer la pression approximative, puis laisser la température s'équilibrer.
3. Si nécessaire, utiliser le réglage de volume (3) pour ajuster le vide nécessaire.
4. Une fois que le vide requis est atteint, actionner les poignées à effet de levier (5) pour générer un vide plus important. Autrement, laisser l'atmosphère envahir le vide en tournant lentement (dans le sens inverse des aiguilles d'une montre) le sélecteur (7) jusqu'à la position centrale.
5. À la fin de l'opération, dépressuriser la pompe et débrancher les canalisations et le matériel.

## 4. Fonctionnement hydraulique



**AVERTISSEMENT** Respecter les consignes et les procédures de sécurité en vigueur.



**ATTENTION** Ne pas mélanger les fluides hydrauliques.

Utiliser uniquement les fluides hydrauliques indiqués dans les spécifications.

Monter uniquement des joints appropriés sur les raccords de pression.

La pompe peut être endommagée en raccordant du matériel contaminé. Éviter la contamination par des particules.

Après utilisation, considérer la pompe comme contaminée par du fluide hydraulique.

**Remarque :** chaque fois que cela est possible, utiliser des joints toriques aux orifices de raccordement BSP ; c'est la méthode d'étanchéité recommandée.

### Légende de la Figure A2

1. Écrou de blocage du couvercle du réservoir
2. Couvercle du réservoir
3. Joint torique
4. Orifice de purge

### 4.1 Réservoir de fluide (Figure A2)

Le corps principal du réservoir est en résine acrylique transparente, ce qui permet d'en visualiser le contenu.

Le réservoir peut être déposé de la pompe sans vider le fluide, un raccord d'auto-étanchéité empêchant les fuites. Le couvercle du réservoir (2) monté sur ressort assure l'étanchéité à la pression atmosphérique, mais laisse échapper sans problème à l'air libre l'excès de pression interne en cas de pressurisation accidentelle.

Le réservoir se raccorde à l'orifice d'admission situé sur la partie supérieure de la pompe et alimente en fluide le système de pompe pour générer la pression.

En mode vide, utilisé pour l'amorçage, l'écoulement du fluide est inversé, le fluide est aspiré par les deux orifices de sortie, puis expulsé par l'orifice d'admission et le réservoir.

### 4.2 Mise en place

S'assurer que le joint torique (3) adéquat est ajusté sur l'orifice d'admission pour empêcher les fuites. Visser le réservoir (dans le sens des aiguilles d'une montre) sur l'orifice d'admission identifié RESERVOIR.

**Remarque :** de l'eau déminéralisée est utilisée pour tester la pompe en usine. À l'expédition, des traces d'eau déminéralisée sont présentes dans le système.

### 4.3 Remplissage

1. Dévisser l'écrou de blocage (1) du couvercle du réservoir et déposer le couvercle du réservoir (2).
2. Remplir le réservoir aux deux tiers environ de fluide recommandé propre.
3. Réajuster le couvercle du réservoir et revisser l'écrou de blocage (1) correspondant.
4. Raccorder les canalisations et le matériel nécessaires aux orifices de sortie.

### 4.4 Amorçage du système

Il existe deux méthodes : amorçage à vide pour extraire l'air ou pré-remplissage du système.

**Remarque :** s'il subsiste de l'air dans le système, il n'est pas possible d'obtenir une pression maximale car l'air présent dans le fluide se comprime. L'air présent doit être éliminé du fluide du système.

Les deux méthodes d'amorçage nécessitent de conserver la pompe en position verticale pour maintenir l'orifice de purge (4) du réservoir dans le fluide. Ne pas laisser pénétrer l'air dans le système par l'orifice de purge (4).

#### 4.4.1 Amorçage à vide (Figure A2)

1. Raccorder l'équipement comme indiqué « Utilisation », page 20.

2. L'air peut être éliminé en utilisant le dispositif de vide de la pompe.

**Remarque :** ne pas utiliser cette méthode avec un matériel sensible au vide.

3. Tourner le sélecteur à fond dans le sens inverse des aiguilles d'une montre en position (vacuum).
4. Tourner le régleur de volume à fond dans le sens inverse des aiguilles d'une montre en position (out).
5. Pomper jusqu'à ce que les bulles cessent d'apparaître dans le réservoir (ceci génère un vide dans le système).
6. Tourner le sélecteur à fond dans le sens des aiguilles d'une montre (cette action annule le vide et remplit rapidement le système avec le fluide présent dans le réservoir). Il est conseillé de générer une petite pression hydraulique, puis de libérer cette pression et d'effectuer une seconde fois la séquence d'amorçage à vide ci-dessus, pour vérifier que tout l'air éventuellement présent dans le système a été éliminé.
7. La pompe et le système raccordé sont prêts à l'emploi.

#### 4.4.2 Pré-remplissage

1. Raccorder l'équipement comme indiqué « Utilisation », page 20.

2. Tourner le sélecteur à fond dans le sens des aiguilles d'une montre en position (in).
3. Dévisser l'écrou de blocage (1) du couvercle du réservoir et ouvrir le couvercle du réservoir (2) pour mettre la partie supérieure du réservoir à la pression ambiante.
4. Ouvrir l'orifice de purge de l'appareil à tester.
5. Actionner délicatement les poignées à effet de levier pour remplir le système. Cesser de pomper lorsque le fluide ressort par l'orifice de purge.
6. Fermer l'orifice de purge de l'appareil testé.
7. Si nécessaire, remplir le réservoir aux deux tiers avec du fluide propre.
8. Fixer le couvercle du réservoir en serrant l'écrou de blocage (1) correspondant.
9. La pompe et le système raccordé sont prêts à l'emploi.

### 4.5 Génération de pression hydraulique (Figure A1)

**Remarque :** la compression d'un fluide est exothermique. Le chauffage ou le refroidissement d'un fluide dans une enceinte fermée entraîne une variation de la pression. Laisser la température s'équilibrer.

1. Si nécessaire, régler la soupape de surpression (PRV) (voir la section suivante).
2. Tourner le sélecteur (7) de 1 tour dans le sens inverse des aiguilles d'une montre.

3. Dévisser à fond le régleur de volume (3) (dans le sens inverse des aiguilles d'une montre).
4. Fermer le sélecteur (7).
5. Actionner les poignées à effet de levier (5) pour générer la pression initiale.
6. Puis, tourner le régleur de volume (3) dans le sens des aiguilles d'une montre pour générer la pression requise et laisser la température s'équilibrer.
7. Pour réduire la pression, tourner le régleur de volume (3) dans le sens inverse des aiguilles d'une montre jusqu'à la pression souhaitée.
8. Une fois l'opération terminée, tourner le régleur de volume (3) à fond dans le sens inverse des aiguilles d'une montre et tourner le sélecteur (7) pour dépressuriser la pompe. Débrancher les canalisations et le matériel raccordés à la pompe.

### 4.6 Réglage de la soupape de surpression (Figure A3)

La soupape de surpression (PRV) peut être réglée à une pression comprise entre 30 et 700 bar (50 et 10 000 psi).



**ATTENTION Ne pas dépasser 700 bar (10 000 psi), sous peine d'endommager les joints internes de la soupape PRV et de la PV411A**

Si la pression du système dépasse la pression définie, la PRV s'ouvre et laisse échapper le fluide par l'orifice d'admission dans le réservoir. Lorsque la pression du système diminue au-dessous de la pression définie, la PRV se ferme.

#### Légende de la Figure A3

1. Vis de blocage de la PRV (x2)
2. Écrou de blocage de la PRV (avec filetage à gauche)
3. Écrou de réglage de la PRV (avec filetage à gauche)

#### 4.6.1 Pour régler la PRV :

1. Brancher un indicateur de pression adapté sur l'un des orifices de sortie Figure A1 (2) ou (6). Placer un obturateur sur l'orifice non utilisé.
2. Augmenter la pression jusqu'à ce que la soupape de surpression se déclenche.
3. Dévisser les deux vis de blocage (1) de la PRV.
4. Dévisser l'écrou de blocage (2) de la PRV en tournant dans le sens des aiguilles d'une montre.
5. Régler la surpression en tournant l'écrou de réglage (3) de la PRV.  
Pour augmenter la pression : tourner l'écrou de réglage (3) de la PRV dans le sens inverse des aiguilles d'une montre.  
Pour diminuer la pression : tourner l'écrou de réglage (3) de la PRV dans le sens des aiguilles d'une montre.
6. Après avoir réglé la PRV, maintenir l'écrou de réglage (3) en position et serrer l'écrou de blocage (2).

**Remarque :** le filetage de l'écrou de blocage est à gauche.

7. Contrôler le fonctionnement de la PRV. Si nécessaire, réinitialiser la PRV.
8. Immobiliser l'écrou de blocage en vissant les deux vis de blocage (1).

### 4.7 Dépannage

Si la pression du système vient à diminuer, contrôler les points suivants :

1. S'assurer que le sélecteur (Figure A1) (7) se trouve à la bonne position et qu'il est convenablement serré.
2. Laisser la température s'équilibrer une fois que la pression requise est atteinte. Plus le volume du système est important, plus le temps nécessaire à la stabilisation de la température est long.
3. Vérifier les adaptateurs, les canalisations souples et les raccords entre la pompe et le matériel testé pour identifier les fuites. Serrer les raccords desserrés et remplacer les joints usés ou endommagés.
4. En mode hydraulique, si le régleur de volume peut être tourné au maximum, mais que la pression maximale n'est pas atteinte, ou si la pression peut être atteinte mais qu'une réduction initiale de la pression semble apparaître, il est probable que de l'air soit emprisonné dans le système. Sans débrancher la pompe ni les raccords de l'appareil à tester, procéder au réamorçage à l'aide de la méthode à vide et renouveler l'opération.
5. Vérifier la pression d'ouverture de la soupape de surpression.

Si, pour une raison quelconque, une défaillance se produit au sein de la pompe, il est recommandé de retourner l'appareil à un distributeur agréé.

## 5. Caractéristiques générales



**INFORMATION** Les fluides hydrauliques doivent être compatibles avec les matériaux suivants : acier inoxydable, aluminium anodisé, caoutchouc nitrile, PTFE, polypropylène, Delrin, acrylique et Nylon.

Élément	Spécification
Plage de pression pneumatique	0 à 60 bar (0 à 600 psi)
Plage de pression de vide	0 à -0,95 bar <sup>a</sup> (0 à 28,5 inHg) <sup>a</sup>
Plage de pression hydraulique	0 à 700 bar (0 à 10 000 psi)
Pression de sécurité maximum en service	700 bar (10 000 psi)
Raccords de pression	BSP femelle parallèle 1/4" (NPT femelle 1/4" aux États-Unis)
Viscosité maximale du fluide hydraulique	150 cSt à 40°C (104°F)
Fluides hydrauliques recommandés	Eau déminéralisée ou huiles minérales (SAE 40W, coefficient de viscosité ISO 150)
Dimensions (longueur x largeur x profondeur)	260 mm (10,2") x 150 mm (5,3") x 100 mm (3,7")
Poids (approximatif)	1,2 kg (2,5 lb)

a. Cette valeur suppose une pression atmosphérique de 1 bar (14,5 psi) et varie suivant la pression atmosphérique.

## 6. Procédure de retour de matériel

Si l'appareil doit être étalonné ou s'il est hors service, il peut être retourné au centre de réparation Druck le plus proche : <https://druck.com/service>.

Contactez le service de réparation pour un obtenir une autorisation de retour (RGA ou RMA). Les informations suivantes doivent figurer sur l'autorisation RGA ou RMA :

- Produit (par ex. PV411A)
- Numéro de série.

- Précisions concernant le défaut/travail à effectuer.
- Exigences de traçabilité de l'étalonnage.
- Conditions d'utilisation.

### 6.1 Consignes de sécurité



**INFORMATION** Toute réparation non autorisée annule la garantie et peut compromettre les performances de l'appareil.

Il est impératif d'informer Druck si le produit a été en contact avec une substance dangereuse ou toxique.

Préciser les références COSHH, ou FDS aux États-Unis, ainsi que les précautions à prendre pour sa manipulation.

### 6.2 Centres de réparation agréés

Pour obtenir la liste de nos centres de réparation : <https://druck.com/service>.



## Introduzione

Questo manuale fornisce le istruzioni per l'uso della pompa manuale pneumatica/idraulica PV411A, compatibilmente con i requisiti necessari per il funzionamento in linea. PV411A sostituisce il modello PV411.

## Sicurezza

L'apparecchiatura soddisfa i requisiti di sicurezza se utilizzata seguendo le procedure indicate in questo manuale. L'attrezzatura non deve essere utilizzata in alcun modo diverso da quelli indicati. Utilizzare solo i fluidi idraulici specificati.

Questo manuale contiene istruzioni d'uso e relative alla sicurezza che devono essere seguite al fine di garantire un utilizzo sicuro e il mantenimento dell'attrezzatura in condizioni di sicurezza. Le disposizioni di sicurezza sono esposte in forma di avvertenze o indicazioni volte a proteggere gli utenti e l'attrezzatura da infortuni o danni.

Prima dell'uso verificare che non vi siano spazi vuoti visibili o scostamenti tra le due parti in plastica della pompa PV411A. In caso di spazi vuoti visibili o scostamenti evidenti, contattare il centro di assistenza locale. Per ulteriori dettagli consultare la Sezione 6.2 a pagina 29.

Tutte le operazioni indicate in questa pubblicazione devono essere effettuate da tecnici adeguatamente specializzati<sup>1</sup> e seguendo metodi appropriati.

### Pressione

Non applicare pressioni maggiori della pressione massima di esercizio di sicurezza specificata.

### Manutenzione


La manutenzione dell'apparecchiatura deve svolgersi secondo quanto indicato in questa pubblicazione. Qualsiasi altro intervento deve essere affidato a centri di assistenza autorizzati o ai reparti di assistenza del produttore.

### Consulenza tecnica

Per consulenze tecniche rivolgersi al produttore o alle sue filiali.

### Simboli

L'apparecchiatura è contrassegnata dai seguenti simboli:

Simbolo	Descrizione
	Questo simbolo sull'apparecchiatura indica un'avvertenza e suggerisce di consultare il manuale per l'utente.

### Abbreviazioni

Questa pubblicazione utilizza le seguenti abbreviazioni.

**Nota:** le abbreviazioni sono identiche al singolare e al plurale.

Abbreviazione	Descrizione
°C	gradi Celsius
BSP	filettatura gas normale britannica
cm	centimetri
COSHH	Regolamento sulle sostanze nocive per la salute
cSt	centi Stoke

Abbreviazione	Descrizione
°F	gradi Fahrenheit
inHg	pollici di mercurio
lb	libbre
ISO	Organizzazione Internazionale per l'Unificazione
kg	chilogrammi
m	metri
mm	millimetri
MSDS	Scheda di sicurezza dei materiali
NPT	Filettatura gas nazionale americana
PRV	valvola limitatrice di pressione
psi	libbre per pollice quadro
PTFE	politetrafluoroetilene
SAE	Society of Automotive Engineers
UUT	Unità in prova

## 1. Introduzione

La pompa manuale PV411A genera pressione e depressione pneumatica o pressione idraulica. Le manopole con azione a forbice consentono la generazione di pressione e depressione pneumatica e, in modalità idraulica, la generazione di pressione idraulica per l'adescamento dell'impianto.

### 1.1 Pompa pneumatica (Figura A1)

Un selettore a valvola (7) consente di sfiatare l'impianto nell'ambiente circostante tra le selezioni di pressione e depressione. L'uso delle manopole con azione a forbice (5) avvia la corsa di pompaggio necessaria alla generazione di pressione.

Un dispositivo di regolazione del volume (3) consente di modificare leggermente la pressione dell'impianto.

### 1.2 Pompa idraulica (Figura A1)

Un selettore a valvola (7) consente di sfiatare l'impianto all'interno del serbatoio tra le selezioni di pressione e depressione (utilizzate nel processo di adescamento). Il dispositivo di regolazione del volume (3) genera la pressione di impianto necessaria. Un serbatoio per fluidi (vedere Figura A2) avvitato al foro di immissione (1) e contrassegnato dalla scritta RESERVOIR, situato sulla parte superiore della pompa manuale, completa il circuito idraulico. Una valvola limitatrice di pressione (8) regolabile consente di impostare una pressione compresa tra i 30 e i 700 bar (500 e 10.000 psi).

1. Un tecnico qualificato deve avere le conoscenze tecniche, la documentazione, la strumentazione di controllo e l'attrezzatura necessarie ad intervenire su questa apparecchiatura.

## 2. Funzionamento



**AVVERTENZA** Prima di applicare pressione, assicurarsi che tutti i collegamenti siano corretti e che l'apparecchiatura al suo interno sia pulita e non presenti danni.

Assicurarsi che tutte le apparecchiature siano entro i valori di pressione nominale corretti.

Non applicare pressioni maggiori della pressione d'utilizzo massima specificata.

Osservare le relative misure precauzionali in materia di sanità e sicurezza.



**ATTENZIONE** Se si utilizza nastro PTFE per sigillare filettature NPT, assicurarsi di utilizzarne soltanto una quantità sufficiente per raggiungere la tenuta di pressione. Se si utilizza nastro in eccesso, alcune particelle potrebbero disperdersi durante il processo di accoppiamento del connettore ed inserirsi nella pompa, causando una potenziale perdita di prestazione della pompa o perdite di pressione.

**Nota:** ove possibile, per le aperture di connessione BSP utilizzare anelli di tenuta toroidali: questo è il metodo di guarnizione raccomandato.

### Legenda della Figura A1

1. Foro di immissione (serbatoio)
2. Foro di uscita
3. Dispositivo di regolazione del volume
4. Dispositivo di regolazione di fine corsa
5. Manopole con azione a forbice
6. Foro di uscita
7. Selettore a valvola
8. Valvola limitatrice di pressione (vedere Figura A3)

### 2.1 Configurazione pressione/depressione (Figura A1)

Nella modalità a pressione, l'aria/il fluido è aspirata/o attraverso il foro di immissione (1) situato sulla parte superiore della pompa manuale ed espulsa/o attraverso i due fori di uscita (2 e 6).

Nella modalità a depressione, il flusso di aria/fluido è invertito e l'aria/il fluido è aspirata/o attraverso i fori di uscita superiore e posteriore (2 e 6) ed espulsa/o attraverso il foro di immissione (1).

### 2.2 Collegamento della pompa



**AVVERTENZA** Mentre si eseguono o rimuovono collegamenti, sostenere il dado della porta di pressione della pompa PV411A. La Figura A4 mostra il metodo consigliato per sostenere il dado della porta di pressione della pompa PV411A.

I collegamenti alla pompa possono essere effettuati direttamente o tramite la gamma di adattatori forniti nel kit di prova opzionale.

#### 2.2.1 Diretto

Qualsiasi connettore maschio da ¼ BSP di lunghezza appropriata può essere inserito nei fori, chiudendolo ermeticamente con un anello di tenuta toroidale situato al fondo del foro o con una guarnizione a sovrapposizione

situata sulla sommità del medesimo. Inserire un tappo di chiusura adatto nei fori non utilizzati.

Qualsiasi connettore maschio da ¼ NPT di lunghezza appropriata può essere inserito nei fori. Inserire un tappo di chiusura adatto nei fori non utilizzati. Se si utilizza nastro PTFE per sigillare filettature NPT, assicurarsi di utilizzarne soltanto una quantità sufficiente per raggiungere la tenuta di pressione. Se si utilizza nastro in eccesso, alcune particelle potrebbero disperdersi durante il processo di accoppiamento del connettore ed inserirsi nella pompa, causando una potenziale perdita di prestazione della pompa o perdite di pressione.

#### 2.2.2 Adattatori girevoli (facoltativi)

L'adattatore girevole singolo da ¼ BSP è collegabile ad una gamma di adattatori fissi. Stringere manualmente (in senso orario) l'adattatore girevole mediante la manopola zigrinata, fino ad inserirlo completamente.

#### 2.2.3 Testa girevole della pompa

La testa della pompa ha una rotazione di 140° ed offre un angolo di visione e caratteristiche di utilizzo da banco ottimali. Collocando la pompa sul banco è possibile applicare una maggiore forza alle manopole con azione a forbice. Una rotazione maggiore della testa della pompa è impedita da fine corsa interni.

**Nota:** non applicare forza eccessiva nella rotazione della testa della pompa.

### 2.3 Selettore a valvola

Pressione: ruotare (manualmente) il selettore a valvola completamente in senso orario (posizione in).

Depressione: ruotare (manualmente) il selettore a valvola completamente in senso antiorario (posizione out).

Sfiato: ruotare il selettore a valvola lentamente fino al raggiungimento della posizione centrale.



**INFORMAZIONI** Per evitare danni allo strumento in prova, utilizzare il dispositivo di regolazione del volume per scaricare lentamente la pressione idraulica.

### 2.4 Dispositivo di regolazione di fine corsa delle manopole con azione a forbice (Figura A1)

Ruotando il dispositivo di regolazione di fine corsa (4) in senso orario si riduce la corsa delle manopole con azione a forbice (5), ruotando il dispositivo di regolazione di fine corsa (4) in senso antiorario si aumenta la corsa.

Per ottenere la massima generazione di pressione pneumatica ruotare il dispositivo di regolazione di fine corsa completamente in senso antiorario.

## 3. Funzionamento pneumatico

### 3.1 Dispositivo di regolazione del volume

Il dispositivo di regolazione del volume può essere utilizzato in diverse modalità:

#### 3.1.1 Bassa pressione

1. Con il selettore a valvola impostato su sfiato (aperto), ruotare il dispositivo di regolazione del volume completamente in senso antiorario (out).
2. Per selezionare la pressione ruotare il selettore a valvola completamente in senso orario (in).
3. Per generare pressione ruotare il dispositivo di regolazione del volume in senso orario.



### 3.1.2 Alta pressione

1. Ruotare il dispositivo di regolazione del volume fino a raggiungere la posizione centrale. In questa posizione è possibile attuare una regolazione fine della pressione generata.
2. Generare la pressione approssimativa mediante le manopole con azione a forbice; susseguentemente, ruotare il dispositivo di regolazione del volume in senso orario (in) per aumentare la pressione o in senso antiorario (out) per diminuirla.

### 3.1.3 Depressione

1. Ruotare il selettore a valvola completamente in senso antiorario (posizione out).
2. Ruotare il dispositivo di regolazione del volume fino a raggiungere la posizione centrale. In questa posizione è possibile effettuare una regolazione fine della depressione generata.
3. Generare la depressione approssimativa mediante le manopole con azione a forbice; susseguentemente, ruotare il dispositivo di regolazione del volume in senso orario (in) per diminuire la depressione o in senso antiorario (out) per aumentarla.

Per depressioni basse utilizzare solo il dispositivo di regolazione del volume.

## 3.2 Generazione di pressione e depressione pneumatiche (Figura A1)

Collegare la pompa come indicato in "Collegamento della pompa" a pagina 26.

**Nota:** la compressione di un gas genera calore. Il riscaldamento o raffreddamento di un gas in un volume chiuso provoca un cambiamento di pressione. È necessario consentire il tempo sufficiente perché il gas riscaldato si raffreddi e la pressione si stabilizzi.

Il pompaggio necessario alla generazione di pressione dipende dal volume dell'impianto. Conseguentemente, mantenere il volume dell'impianto al minimo.

### 3.2.1 Pressione

1. Ruotare il selettore a valvola (7) completamente in senso orario (posizione in).
2. Adoperare le manopole con azione a forbice (5) per generare la pressione approssimativa, attendere il tempo necessario alla stabilizzazione termica.
3. Se necessario, utilizzare il dispositivo di regolazione del volume (3) per determinare la pressione desiderata.
4. Dopo aver ottenuto la pressione desiderata, adoperare le manopole con azione a forbice (5) per generare una pressione maggiore. In alternativa, sfatare la pressione nell'ambiente circostante ruotando lentamente (in senso antiorario) il selettore a valvola (7) fino al raggiungimento della posizione centrale.
5. Dopo il completamento dell'operazione, depressurizzare la pompa e scollegarla dai tubi e dalle attrezzature.

### 3.2.2 Depressione

1. Ruotare il selettore a valvola (7) completamente in senso antiorario (posizione out).
2. Adoperare le manopole con azione a forbice (5) per generare la depressione approssimativa, attendere il tempo necessario alla stabilizzazione termica.
3. Se necessario, utilizzare il dispositivo di regolazione del volume (3) per determinare la depressione desiderata.

4. Dopo aver ottenuto la depressione desiderata, adoperare le manopole con azione a forbice (5) per generare una depressione maggiore. In alternativa, far sfatare l'atmosfera esterna all'interno della depressione ruotando lentamente (in senso antiorario) il selettore a valvola (7) fino al raggiungimento della posizione centrale.
5. Dopo il completamento dell'operazione, depressurizzare la pompa e scollegarla dai tubi e dalle attrezzature.

## 4. Funzionamento idraulico



**AVVERTENZA** Attenersi alle precauzioni e procedure di sicurezza definite dalle normative locali.



**ATTENZIONE** Evitare di mescolare fluidi idraulici.

Utilizzare solo fluidi compatibili; fare riferimento alla specifica.

Inserire nei collegamenti solo dispositivi di tenuta adatti.

Se le attrezzature collegate alla pompa sono contaminate si possono causare danni. Evitare la contaminazione da particolato.

Dopo l'uso la pompa si deve ritenere contaminata dal fluido idraulico.

**Nota:** ove possibile, per le aperture di connessione BSP utilizzare anelli di tenuta toroidali: questo è il metodo di guarnizione raccomandato.

### Legenda della Figura A2

1. Dado di bloccaggio del coperchio del serbatoio
2. Coperchio del serbatoio
3. Anello di tenuta toroidale
4. Foro di spurgo

### 4.1 Serbatoio per fluido (Figura A2)

Il corpo principale del serbatoio è in acrilico trasparente, per consentire una visione chiara del contenuto.

Il serbatoio può essere staccato dalla pompa senza che sia necessario svuotarlo; un collegamento autosigillante impedisce la fuoriuscita del fluido contenuto. Il coperchio a molla del serbatoio (2) si chiude ermeticamente in condizioni di pressione atmosferica, ma nell'eventualità di pressurizzazione involontaria sfata la pressione interna in eccesso in maniera non pericolosa.

Il serbatoio si collega con il foro di immissione situato sulla parte superiore della pompa ed eroga il fluido all'impianto di pompaggio per la generazione di pressione.

Nella modalità a depressione, utilizzata per l'adescamento, il flusso del fluido è invertito, il fluido è immesso dai due fori di uscita e fatto passare attraverso il foro di ingresso al serbatoio.

### 4.2 Installazione

Assicurarsi che l'anello di tenuta toroidale (3) appropriato sia inserito nel foro di immissione per impedire perdite. Avvitare il serbatoio (in senso orario) all'interno del foro di immissione contrassegnato dalla scritta RESERVOIR.

**Nota:** in fase di fabbricazione si utilizza acqua demineralizzata per collaudare la pompa. Al momento della spedizione, all'interno dell'impianto saranno presenti tracce di acqua demineralizzata.

### 4.3 Riempimento

1. Svitare il dado di bloccaggio del coperchio del serbatoio (1) e rimuovere il coperchio del serbatoio (2).
2. Riempire il serbatoio con un fluido pulito indicato fino a raggiungere approssimativamente i 2/3 della capacità.
3. Riposizionare il coperchio del serbatoio e riavvitare il dado di bloccaggio (1).
4. Collegare i tubi e le attrezzature necessari ai fori di uscita.

### 4.4 Adescamento dell'impianto

Sono possibili due metodi: adescamento a depressione per estrarre l'aria, o pre-riempimento dell'impianto.

**Nota:** se rimane aria all'interno dell'impianto non è possibile ottenere la pressione piena, dal momento che l'aria presente nel fluido si comprime. L'aria presente nel fluido dell'impianto deve essere rimossa.

Entrambi i metodi di adescamento richiedono che la pompa sia tenuta in posizione verticale, per mantenere il foro di spurgo del serbatoio (4) nel fluido. Evitare l'ingresso di aria nell'impianto attraverso il suddetto foro di spurgo (4).

#### 4.4.1 Adescamento a depressione (Figura A2)

1. Collegare l'attrezzatura come descritto in "Funzionamento" a pagina 26.
2. L'aria può essere eliminata mediante la funzione di depressione della pompa.  
**Nota:** non utilizzare questo metodo con attrezzature sensibili alla depressione.
3. Ruotare il selettore a valvola completamente in senso antiorario (posizione di depressione).
4. Ruotare la valvola di regolazione del volume completamente in senso antiorario (posizione out).
5. Pompate fino a quando non compaiono più bolle nel serbatoio (questo genera una depressione nell'impianto).
6. Ruotare il selettore a valvola completamente fino alla posizione in (questa azione scarica la depressione e riempie rapidamente l'impianto con il fluido proveniente dal serbatoio). Si consiglia di generare una modesta quantità di pressione idraulica, rilasciare quindi tale pressione e ripetere la sequenza di adescamento a depressione riportata sopra una seconda volta per verificare che eventuale aria presente nel sistema sia stata rimossa.
7. La pompa e l'impianto ad essa collegato sono ora pronti per l'uso.

#### 4.4.2 Pre-riempimento

1. Collegare l'attrezzatura come descritto in "Funzionamento" a pagina 26.
2. Ruotare il selettore a valvola completamente in senso orario (posizione in).
3. Allentare il dado di bloccaggio del coperchio del serbatoio (1) per aprire il coperchio del serbatoio (2) e consentire l'ingresso della pressione atmosferica nella parte superiore del serbatoio stesso.
4. Aprire la valvola di spurgo sull'UUT.
5. Utilizzare con cautela le manopole con azione a forbice per riempire l'impianto. Interrompere il pompaggio quando il fluido esce dalla valvola di spurgo.
6. Chiudere la valvola di spurgo sull'UUT.
7. Se necessario, aggiungere fluido pulito nel serbatoio fino a raggiungere il livello di 2/3.

8. Fissare il coperchio del serbatoio riavvitando il dado di bloccaggio del coperchio del serbatoio (1).
9. La pompa e l'impianto ad essa collegato sono ora pronti per l'uso.

### 4.5 Generazione di pressione idraulica (Figura A1)

**Nota:** la pressurizzazione di un fluido genera calore. Il riscaldamento o raffreddamento di un fluido in un volume chiuso provoca un cambiamento di pressione. Attendere il tempo necessario alla stabilizzazione termica.

1. Se necessario impostare la valvola limitatrice di pressione secondo quanto indicato nella sezione successiva.
2. Aprire il selettore a valvola (7) di 1 giro in senso antiorario.
3. Ruotare completamente (in senso antiorario) il dispositivo di regolazione del volume (3) fino al raggiungimento della posizione out.
4. Chiudere il selettore a valvola (7).
5. Adoperare le manopole con azione a forbice (5) per generare la pressione iniziale.
6. Successivamente, ruotare il dispositivo di regolazione del volume (3) in senso orario per generare la pressione desiderata e attendere il tempo necessario alla stabilizzazione termica.
7. Per ridurre la pressione, ruotare il dispositivo di regolazione del volume (3) in senso antiorario fino al raggiungimento della pressione desiderata.
8. Dopo il completamento dell'operazione, ruotare completamente il dispositivo di regolazione del volume (3) in senso antiorario e ruotare il selettore a valvola (7) per depressurizzare la pompa. Scollegare dai tubi e dalle attrezzature.

### 4.6 Regolazione della valvola limitatrice di pressione (Figura A3)

La valvola limitatrice di pressione (PRV) può essere impostata ad una pressione compresa tra i 30 e i 700 bar (500 e 10.000 psi).



**ATTENZIONE Non superare 700 bar (10.000 psi). In caso contrario si potrebbero danneggiare le guarnizioni interne di PRV e PV411A**

Nel caso in cui la pressione dell'impianto superi la pressione impostata, la PRV si apre e fa sfidare il fluido all'interno del serbatoio attraverso il foro di ingresso. Quando la pressione nell'impianto scende sotto quella impostata la valvola limitatrice di pressione si chiude.

#### Legenda della Figura A3

1. Vite di bloccaggio della PRV (quantità 2)
2. Dado di bloccaggio della PRV (filettatura sinistra)
3. Dado di regolazione della PRV (filettatura sinistra)

#### 4.6.1 Per impostare la PRV:

1. Collegare un indicatore di pressione idoneo a uno dei fori di uscita (Figura A1) (2) o (6). Chiudere il foro non usato con un tappo cieco.
2. Aumentare la pressione fino a mettere in funzione la valvola limitatrice di pressione.
3. Allentare le due viti di bloccaggio della PRV (1).
4. Allentare il dado di bloccaggio (2) ruotandolo in senso orario.

- Impostare la pressione di massima ruotando il dado di regolazione della PRV (3).

Per aumentare la pressione: ruotare il dado di regolazione (3) in senso antiorario.

Per diminuire la pressione: ruotare il dado di regolazione (3) in senso orario.

- Dopo avere impostato la PRV tenere il dado di regolazione (3) fermo in posizione e stringere il dado di bloccaggio (2).

**Nota:** il dado di bloccaggio ha filettatura sinistra.

- Controllare il funzionamento della PRV. Se necessario ripetere la regolazione.
- Fissare il dado di bloccaggio stringendo le due viti di bloccaggio (1).

#### 4.7 Ricerca guasti

Nel caso di una riduzione di pressione nell'impianto, controllare quanto segue:

- Verificare che il selettore a valvola (Figura A1) (7) sia nella posizione giusta e correttamente avvitato.
- Consentire il tempo sufficiente dopo la generazione di pressione perché la temperatura si stabilizzi. Maggiore è il volume dell'impianto, maggiore sarà il tempo necessario a raggiungere la stabilità termica.
- Controllare che adattatori, tubi flessibili e collegamenti tra la pompa e le attrezzature in prova non abbiano perdite. Avvitare le giunzioni allentate e sostituire i dispositivi di tenuta usurati o danneggiati.
- In modalità idraulica, se il dispositivo di regolazione del volume può essere avvitato completamente ma non si riesce ad ottenere la pressione massima, probabilmente significa che è presente aria bloccata nell'impianto. Senza scollegare le connessioni della pompa o del dispositivo in prova, effettuare nuovamente l'adescamento utilizzando il metodo di adescamento a depressione e ripetere.
- Verificare l'impostazione della pressione della PRV. Qualora, per qualsiasi ragione, si verifichi un guasto all'interno della pompa, si raccomanda di riportare l'attrezzatura ad un agente autorizzato.

## 5. Specifiche generali



**INFORMAZIONI** I fluidi idraulici devono essere compatibili con acciaio inossidabile, alluminio anodizzato, gomma nitrilica, PTFE, polipropilene, Delrin, acrilico e nylon.

Elemento	Specifiche
Campo di pressione pneumatica	da 0 a 60 bar (da 0 a 600 psi)
Campo di depressione	Da 0 a -0,95 bar <sup>a</sup> (da 0 a 28,5 inHg) <sup>a</sup>
Campo di pressione idraulica	Da 0 a 700 bar (da 0 a 10.000 psi)
Pressione massima di funzionamento in sicurezza	700 bar (10.000 psi)
Attacchi di pressione	¼" BSP parallelo femmina (¼" NPT femmina negli USA)
Viscosità max fluido idraulico	150 cSt a 40°C (104°F)
Fluidi idraulici consigliati	Acqua demineralizzata oppure oli minerali (SAE 40W, ISO grado di viscosità 150)
Dimensioni (lunghezza x larghezza x profondità)	260 mm (10,2") x 150 mm (5,3") x 100 mm (3,7")
Peso (approssimativo)	1,2 kg (2,5 lb)

a. Questo valore è calcolato alla pressione atmosferica di 1 bar (14,5 psi) e varia a seconda della pressione atmosferica.

## 6. Prassi relativa ai resi di merci

Quando l'unità deve essere calibrata o smette di funzionare, rinviarla al Centro assistenza Druck più vicino, reperibile consultando il sito: <https://druck.com/service>.

Contattare il servizio di assistenza per ottenere un numero di autorizzazione al reso di merce o di materiale (RGA o RMA). Fornire le seguenti informazioni per un RGA o RMA:

- Prodotto (ad esempio PV411A).
- Numero di serie.
- Dettagli relativi al difetto/riparazioni da effettuare.
- Requisiti di tracciabilità calibrazione.
- Condizioni di esercizio.

### 6.1 Precauzioni di sicurezza



**INFORMAZIONI** Interventi di assistenza da parte di centri non autorizzati pregiudicano la garanzia e possono compromettere il successivo uso del prodotto.

Informare Druck se il prodotto è venuto a contatto con sostanze tossiche o pericolose, indicando gli eventuali riferimenti COSHH o, negli Stati Uniti, MSDS ed eventuali precauzioni da prendere per la manipolazione.

### 6.2 Centri di assistenza autorizzati

Per l'elenco dei centri di assistenza: <https://druck.com/service>.



## Įžanga

Šiame vadove pateikiama PV411A rankinio pneumatinio / hidraulinio siurblio naudojimo instrukcija, atitinkanti linijos eksploataavimo reikalavimus. PV411A modeliui pakeičiamas PV411 modelis.

## Sauga

Gamintojas šią įrangą sukūrė taip, kad ji saugiai veiktų eksploatuojant pagal šime vadove aprašytas procedūras. Naudojatos negali naudoti šios įrangos kitais tikslais, nei nurodyta. Naudokite tik specifikacijoje nurodytus hidraulinius skysčius.

Šiame vadove pateiktos saugos ir naudojimo instrukcijos, kurių reikia laikytis norint užtikrinti saugų eksploatavimą ir saugią įrangos būklę. Saugos nurodymai yra įspėjimai ar perspėjimai, skirti apsaugoti naudotoją nuo traumų ir įrangą nuo sugadinimo.

Prieš naudojimą būtina įsitikinti, kad nėra matomų tarpų tarp plastikinių PV411A dalių. Pastebėjus tarpą ar plyšį naudoti negalima; būtina kreiptis į vietos techninės priežiūros centrą. Daugiau informacijos rasite 6.2 skyrius 35 psl..

Šioje instrukcijoje nurodytoms procedūroms atlikti pastelkite kvalifikuotus technikus<sup>1</sup> ir gerąją inžinerinę praktiką.

## Slėgis

Nenaudokite slėgio, viršijančio specifikacijoje nurodytą maksimalų saugų darbinį slėgį.

## Techninė priežiūra

Įranga turi būti prižiūrima pagal šime leidinyje nurodytas procedūras. Tolesnes gamintojo procedūras turi atlikti įgalioti aptarnavimo agentai arba gamintojo aptarnavimo skyriai.

## Techninė konsultacija

Dėl techninės konsultacijos kreipkitės į gamintoją arba patrunuojamąją įmonę.

## Simboliai

Šiais simboliais žymima atitinkama įranga.

Simbolis	Aprašas
----------	---------



Šis simbolis ant įrangos nurodo įspėjimą ir tai, kad naudotojas turėtų perskaityti naudotojo vadovą.

## Santrumpos

Šiame leidinyje naudojamos toliau nurodytos santrumpos.

**Pastaba.** Tos pačios santrumpos reiškia vienaskaitą ir daugiskaitą.

Santrumpa	Aprašas
-----------	---------

°C	Celsijaus laipsniai
----	---------------------

BSP	Didžiosios Britanijos standartinis sriegiuotas vamzdis
-----	--

cm	Centimetrai
----	-------------

COSHH	Sveikatai pavojingų medžiagų kontrolės taisyklės
-------	--

cSt	Centistokasai
-----	---------------

°F	Farenheito laipsniai
----	----------------------

inHg	Gyvsidabrio stulpelio coliai
------	------------------------------

Santrumpa	Aprašas
-----------	---------

lb	Svarai
----	--------

ISO	Tarptautinė standartizacijos organizacija
-----	---

kg	Kilogramai
----	------------

m	Metrai
---	--------

mm	Milimetrai
----	------------

MSDS	Medžiagos saugos duomenų lapas
------	--------------------------------

NPT	Nacionalinio standarto sriegiuotas vamzdis
-----	--

PRV	Viršslėgio vožtuvas
-----	---------------------

psi	Svarai kvadratiname colyje
-----	----------------------------

PTFE	Poilitetrafluoretilenas
------	-------------------------

SAE	Automobilių inžinerių sąjunga
-----	-------------------------------

UUT	Bandomasis vienetas
-----	---------------------

## 1. Įžanga

Rankinis siurblys PV411A generuoja pneumatinį slėgį ir vakuumą arba hidraulinį slėgį. Žirklinio mechanizmo rankenomis generuojamas pneumatinis slėgis ir vakuumas, o esant hidrauliniam režimui hidraulinis slėgis generuojamas sistemai užpildyti.

### 1.1 Pneumatinis siurblys (A1 pav.)

Skirstomąja sklende (7) ištuštinama sistema išleidžiant turinį į atmosferą tarp slėgio ir vakuumo parinkčių. Žirklinio mechanizmo rankenomis (5) sukuriama slėgiui generuoti reikalingas siurblio taktas.

Tūrio reguliatorius (3) leidžia šiek tiek pareguliuoti sistemos slėgį.

### 1.2 Hidraulinis siurblys (A1 pav.)

Skirstomąja sklende (7) ištuštinama sistema išleidžiant turinį į rezervuarą tarp slėgio ir vakuumo parinkčių (naudojama pildymo procese). Tūrio reguliatoriumi (3) generuojamas reikiamas sistemos slėgis. Skysčio rezervuaru (žr. A2 pav.), įsuktu į įleidimo angą (1), pažymėtą RESERVOIR, rankinio siurblio viršuje užpildomas hidraulinis kontūras. Viršslėgio vožtuvą (8) galima reguliuoti norint nustatyti nuo 30 iki 700 barų (nuo 500 iki 10 000 psi) slėgį.

## 2. Naudojimas



**ĮSPĖJIMAS** Prieš taikydami slėgį įsitinkite, kad visos jungtys tinkamos, o įrangos vidinės dalys švarios ir nesugadintos.

Įsitinkite, kad visos įrangos slėgio charakteristikos tinkamos.

Neviršykite didžiausio darbinio slėgio, nurodyto specifikacijoje.

Laikykites atitinkamų sveikatos ir saugos nurodymų.



**DĖMESIO!** Jei NPT sriegiai sandarinami PTFE juosta, įsitinkite, kad naudojamas tik pakankamas jos kiekis slėgio sandarumui užtikrinti. Jei naudojama perteklinė juostos dalis, jungčių sąlyčio proceso metu dalelės gali atsilaisvinti ir patekti į siurblių, dėl to gali sumažėti siurblio našumas ar atsirasti slėgio nuotėkis.

**Pastaba.** Jei įmanoma, BSP jungčių prievaduose naudokite žiedinius sandarinklius, tai yra rekomenduojamas sandarinimo būdas.

1. Kvalifikuotas technikas turi turėti reikalingas technines žinias, dokumentus, specialiąją bandymų įrangą ir įrankius, reikalingus darbiui su šia įranga.

## A1 pav. paaiškinimas

1. Įleidimo (rezervuaro) anga
2. Išleidimo anga
3. Tūrio reguliatorius
4. Ribos reguliatorius
5. Žirklinio mechanizmo rankenos
6. Išleidimo anga
7. Skirstomoji sklendė
8. Viršslėgio vožtuvas (žr. A3 pav.)

### 2.1 Slėgio / vakuumo konfigūracija (A1 pav.)

Esant slėgio režimui, oras / skystis įsiskverbia pro siurblio viršuje esančią įleidimo angą (1) ir ištraukiamas per dvi išleidimo angas (2 ir 6).

Esant vakuumo režimui, oro / skysčio srautas nukreipiamas priešinga kryptimi, kai oras / skystis ištraukiamas pro viršutinę ir užpakalinę išleidimo angas (2 ir 6) ir pašalinamas per įleidimo angą (1).

### 2.2 Siurblio prijungimas



**ĮSPĖJIMAS** Laikykite PV411A slėgio prievado veržlę priverždami ar atlaisvindami jungtis. Rekomenduojami PV411A slėgio prievado veržlės laikymo būdai pateikiami A4 pav..

Siurblys galima prijungti tiesiogiai arba naudoti pasirinktiniame bandomajame komplekte esančius adapterius.

#### 2.2.1 Tiesioginis prijungimas

BSP įvadams tinka bet kokia tinkamo ilgio ¼ BSP išorinio sriegio jungtis, sandarinama žiedine tarpine įvado apačioje ar klijuojama sandarinimo tarpine ant viršaus. Įkiškite tinkamą izoliuojamąjį kištuką į nenaudojamą įvadą.

NPT įvaduose galima įjungti bet kokio tinkamo ilgio ¼ NPT išorinio sriegio jungtį. Įkiškite tinkamą izoliuojamąjį kištuką į nenaudojamą įvadą. Jei NPT sriegiai sandarinami PTFE juosta, įsitikinkite, kad naudojamas tik pakankamas jos kiekis slėgio sandarumui užtikrinti. Jei naudojama perteklinė juostos dalis, jungčių sąlyčio proceso metu dalelės gali atsilaisvinti ir patekti į siurblių, dėl to gali sumažėti siurblio našumas ar atsirasti slėgio nuotėkis.

#### 2.2.2 Pasukamieji adapteriai (pasirinktiniai)

Vienas ¼ BSP pasukamasis adapteris jungiamas su daugeliu fiksuotų adapterių. Naudodami srieginę movą ranka iki galo priveržkite (pagal laikrodžio rodyklę) pasukamąjį adapterį.

#### 2.2.3 Pasukamoji siurblio galvutė

Siurblio galvutė pasukama 140 laipsnių kampų, ji užtikrina optimalų matymo kampą ir veikimą ant stalo. Padėjus siurblių ant stalo žirklinio mechanizmo rankenoms galima taikyti didesnę jėgą. Vidiniai uždaromieji vožtuvai neleidžia toliau suktsi siurblio galvutei.

**Pastaba.** Sukdami siurblio galvutę nenaudokite per didelės jėgos.

### 2.3 Skirstomoji sklendė

Slėgis: iki galo ranka pasukite skirstomąją sklendę pagal laikrodžio rodyklę (į vidų).

Vakuumas: iki galo ranka pasukite skirstomąją sklendę prieš laikrodžio rodyklę (į išorę).

Ventiliatorius: lėtai pasukite skirstomąją sklendę į centrinę padėtį.



**INFORMACIJA** Nesugadinkite prietaiso bandomo metu naudodami tūrio reguliatorių norėdami lėtai sumažinti hidraulinį slėgį.

### 2.4 Žirklinio mechanizmo rankenų ribų reguliatorius (A1 pav.)

Pasukant ribos reguliatorių (4) pagal laikrodžio rodyklę, sumažėja žirklinio mechanizmo taktas (5), o pasukant ribos reguliatorių (4) prieš laikrodžio rodyklę, taktas padidėja.

Norėdami generuoti maksimalų pneumatinį slėgį, pasukite ribos reguliatorių prieš laikrodžio rodyklę.

## 3. Pneumatinės sistemos veikimas

### 3.1 Tūrio reguliatorius

Tūrio reguliatorių galima naudoti įvairiais toliau nurodytais režimais.

#### 3.1.1 Mažas slėgis

1. Kai skirstomoji sklendė atidaryta, iki galo pasukite tūrio reguliatorių prieš laikrodžio rodyklę (į išorę).
2. Pasirinkite slėgį iki galo pasukdami skirstomąją sklendę pagal laikrodžio rodyklę (į vidų).
3. Generuokite slėgį iki galo pasukdami tūrio reguliatorių pagal laikrodžio rodyklę.

#### 3.1.2 Didelis slėgis

1. Pasukite tūrio reguliatorių į vidurinę padėtį. Šioje padėtyje galima tiksliai sureguliuoti generuojamą slėgį.
2. Žirklinio mechanizmo rankenomis sukurkite apytiksli slėgį; tada pasukite tūrio reguliatorių pagal laikrodžio rodyklę (į vidų), kad padidintumėte slėgį, arba pasukite tūrio reguliatorių prieš laikrodžio rodyklę (į išorę), kad sumažintumėte slėgį.

#### 3.1.3 Vakuumas

1. Iki galo pasukite skirstomąją sklendę prieš laikrodžio rodyklę (į išorę).
2. Pasukite tūrio reguliatorių į vidurinę padėtį. Šioje padėtyje galima tiksliai sureguliuoti generuojamą vakuumą.
3. Žirklinio mechanizmo rankenomis sukurkite apytiksli vakuumą; tada pasukite tūrio reguliatorių pagal laikrodžio rodyklę (į vidų), kad sumažintumėte vakuumą, arba pasukite tūrio reguliatorių prieš laikrodžio rodyklę (į išorę), kad padidintumėte vakuumą.

Mažo vakuumo atveju naudokite tik tūrio reguliatorių.

### 3.2 Pneumatinio slėgio ir vakuumo generavimas (A1 pav.)

Prijunkite siurblių, kaip išsamiai aprašyta „Siurblio prijungimas“ 32 psl.

**Pastaba.** Suslėgtos dujos generuoja karštį. Kaitinant ar aušinant dujas uždaroje talpoje kinta slėgis. Svarbu palaukti, kol įkaitusios dujos atauš ir slėgis taps stabilus.

Slėgiui generuoti reikalingi siurblio taktai priklauso nuo sistemos tūrio. Todėl palaikykite minimalų sistemos tūrį.

#### 3.2.1 Slėgis

1. Iki galo pasukite skirstomąją sklendę (7) laikrodžio rodyklės kryptimi (į vidų).
2. Naudodami žirklinio mechanizmo rankenas (5) generuokite apytiksli slėgį, palaukite, kol bus sukurtas šiluminis stabilumas.

3. Prireikus tūrio regulatoriumi (3) nustatykite reikiamą slėgį.
4. Pasiekę reikiamą slėgį, žirklinio mechanizmo rankenomis (5) generuokite didesnį slėgį. Arba išleiskite slėgį į atmosferą lėtai sukdamis (prieš laikrodžio rodyklę) skirstomąją sklendę (7) į centrinę padėtį.
5. Baigę pašalinkite siurblio slėgį ir atjunkite jį nuo vamzdžių ir įrangos.

### 3.2.2 Vakuumas

1. Iki galo pasukite skirstomąją sklendę (7) prieš laikrodžio rodyklę (į išorę).
2. Naudodami žirklinio mechanizmo rankenas (5) generuokite apytikslį vakuumą, palaukite, kol bus sukurtas šiluminis stabilumas.
3. Prireikus tūrio regulatoriumi (3) nustatykite reikiamą vakuumą.
4. Pasiekę reikiamą vakuumą, žirklinio mechanizmo rankenomis (5) generuokite didesnį vakuumą. Arba į vakuumą įleiskite oro lėtai sukdamis (prieš laikrodžio rodyklę) skirstomąją sklendę (7) į centrinę padėtį.
5. Baigę pašalinkite siurblio slėgį ir atjunkite jį nuo vamzdžių ir įrangos.

## 4. Hidraulinės sistemos naudojimas



**ĮSPĖJIMAS** Laikykites visų atsargumo priemonių ir procedūrų, nurodytų vietiniuose įsakymuose.



**DĖMESIO!** Nemaišykite hidraulinių skysčių.

Naudokite tik suderinamus skysčius, žr. specifikaciją.

Pritvirtinkite tik tinkamas tarpines ant slėgio jungčių.

Jei prie šio siurblio prijungta įranga užteršta, gali būti padaryta žala. Venkite taršos kitosiomis dalelėmis.

Baigę naudoti, laikykites prielaidos, kad siurblys užterštas hidrauliniu skysčiu.

**Pastaba.** Jei įmanoma, BSP jungčių prievaduose naudokite žiedinius sandariklius, tai yra rekomenduojamas sandarinimo būdas.

### A2 pav. paaiškinimas

1. Rezervuaro dangčio fiksavimo veržlė
2. Rezervuaro dangtis
3. Žiedinis sandariklis
4. Oro šalinimo anga

### 4.1 Skysčio rezervuaras (A2 pav.)

Rezervuaro korpusas pagamintas iš skaidraus akrilo, todėl galite aiškiai matyti jo turinį.

Rezervuarą galima išimti iš siurblio neišpilant skysčio, nes savaime užsisandarinti jungtis neleidžia jam ištekti.

Spyruoklinis rezervuaro dangtis (2) yra sandarus atmosferos slėgio sąlygomis, o jei slėgis neapdiramai padidinamas, vidinio slėgio perteklius pašalinamas be jokios žalos.

Rezervuaras prijungiamas prie siurblio viršuje esančio įleidimo prievado ir tiekias skystį į siurblio sistemą, kad būtų generuojamas slėgis.

Vakuomo režimu, naudojamu paruošiant siurbį, skysčio srauto kryptis apgręžiamas, skystis siurbiamas iš dviejų išleidimo prievadų, tada pro įleidimo prievadą ir rezervuarą.

### 4.2 Montavimas

Siekiant išvengti nuotėkio, įleidimo prievade reikia naudoti tinkamą žiedinį sandariklį (3). Prisukite (pagal laikrodžio rodyklę) rezervuarą prie įleidimo prievado, pažymėto žodžiu RESERVOIR.

**Pastaba.** Gamykloje siurblys buvo išbandytas naudojant demineralizuotąjį vandenį. Gavus sistemą, joje gali būti demineralizuotojo vandens likučių.

### 4.3 Pildymas

1. Atsukite rezervuaro dangčio fiksavimo veržlę (1) ir nuimkite rezervuaro dangtį (2).
2. Švariui rekomenduojamu skysčiu užpildykite rezervuarą iki maždaug 2/3 talpos.
3. Uždėkite atgal rezervuaro dangtį ir priveržkite rezervuaro fiksavimo veržlę (1).
4. Prijunkite reikiamus vamzdžius ir įrenginius prie išleidimo prievadų.

### 4.4 Sistemos paruošimas

Yra du metodai: vakuuminis paruošimas pašalinant orą arba pradinis sistemos užpildymas.

**Pastaba.** Jei sistemoje lieka oro, negalėsite pasiekti viso slėgio, nes skystyje esantis oras suspaudžiamas. Orą reikia pašalinti iš sistemos skysčiu.

Naudojant abu paruošimo metodus siurbį reikia laikyti vertikaliai, kad rezervuaro oro šalinimo anga (4) būtų skystyje. Neleiskite orui patekti į sistemą pro oro šalinimo angą (4).

#### 4.4.1 Vakuuminis paruošimas (A2 pav.)

1. Prijunkite įrangą, kaip aprašyta „Naudojimas“ 31 psl.
2. Orą galima pašalinti naudojant siurblio vakuomo įtaisą.

**Pastaba.** Nenaudokite šio metodo su vakuumu įtraukia įranga.

3. Iki galo sukite skirstomąjį vožtuvą prieš laikrodžio rodyklę (į vakuumo padėtį).
4. Iki galo sukite tūrio reguliavimo įtaiso vožtuvą prieš laikrodžio rodyklę (į išorę).
5. Pampuokite, kol rezervuare nebesimatys oro burbuliukų (taip sistemoje sukuriama vakuumas).
6. Iki galo įsukite skirstomąjį vožtuvą (atliekant šį veiksmą vakuumas panaikinamas ir sistema greitai užpildoma skysčiu iš rezervuaro). Rekomenduojama sukurti nedidelį hidraulinį slėgį, tada jį pašalinti ir kartoti aprašytą vakuuminio paruošimo seką dar kartą, siekiant patikrinti, ar visas oras pašalintas iš sistemos.
7. Siurblys ir prijungta sistema paruošti naudoti.

#### 4.4.2 Pradinis užpildymas

1. Prijunkite įrangą, kaip aprašyta „Naudojimas“ 31 psl.
2. Iki galo sukite skirstomąjį vožtuvą pagal laikrodžio rodyklę (į vidų).
3. Atsukdami rezervuaro dangčio fiksavimo veržlę (1) atidarykite rezervuaro dangtį (2) ir leiskite atmosferos slėgiui pasiekti rezervuaro viršų.
4. Atsukite bandomo bloko (UUT) oro šalinimo vožtuvą.
5. Atsargiai dirbdami žirklinėmis rankenomis užpildykite sistemą. Kai skystis pradės tekėti pro oro šalinimo vožtuvą, liaukites pumpavę.
6. Uždarykite UUT oro šalinimo vožtuvą.

7. Jei reikia, įpilkite į rezervuarą dar švaraus skysčio iki 2/3 lygio.
8. Užfiksuo­kite rezervuaro dangtį priverždami rezervuaro dangčio fiksavimo veržlę (1).
9. Siurblys ir prijungta sistema paruošti naudoti.

#### 4.5 Hidraulinio slėgio generavimas (A1 pav.)

**Pastaba.** Didinant skysčio slėgį generuojama šiluma. Šildant arba aušinant skystį uždareme inde keičiasi slėgis. Palikite pakankamai laiko termininei stabilizacijai.

1. Jei reikia, nustatykite slėgio mažinimo vožtuvą (PRV), žr. kitą skyrių.
2. Atidarykite skirstomąjį vožtuvą (7) 1 kartą pasukdami prieš laikrodžio rodyklę.
3. Iki galo atsukite tūrio reguliavimo įtaisą (3) (prieš laikrodžio rodyklę).
4. Uždarykite skirstomąjį vožtuvą (7).
5. Naudo­damiesi žirklinėmis rankenomis (5) generuokite pradinį slėgį.
6. Tada sukdami tūrio reguliavimo įtaisą (3) pagal laikrodžio rodyklę generuokite reikiamą slėgį, palikite laiko termininei stabilizacijai.
7. Norėdami sumažinti slėgį, išsukite (prieš laikrodžio rodyklę) tūrio reguliavimo įtaisą (3), kol bus pasiekta reikiamas slėgis.
8. Baigę iki galo išsukite (prieš laikrodžio rodyklę) tūrio reguliavimo įtaisą (3) ir sukdami skirstomąjį vožtuvą (7) sumažinkite siurblio slėgį. Atjunkite vamzdžius ir įrangą.

#### 4.6 Slėgio mažinimo vožtuvo nustatymas (A3 pav.)

Slėgio mažinimo vožtuve (PRV) galima nustatyti 30–700 bar (500–10 000 psi) slėgį.



**DĖMESIO!** Neviršykite 700 bar (10 000 psi) vertės. Kyla pavojus sugadinti PRV ir PV411A vidinius sandarikius

Jei sistemos slėgis viršija nustatytą slėgį, PRV atsidaro ir išleidžia skystį pro įleidimo prievadą į rezervuarą. Kai sistemos slėgis yra žemesnis už nustatytą slėgį, PRV užsidaro.

#### A3 pav. paaiškinimas

1. PRV fiksavimo varžtas (kiekis: 2)
2. PRV fiksavimo veržlė (su kairiuoju sriegiu)
3. PRV reguliavimo veržlė (su kairiuoju sriegiu)

#### 4.6.1 Norėdami nustatyti PRV:

1. Prijunkite tinkamą slėgio indikatorių prie išleidimo prievado (A1 pav.) (2) arba (6). Ant nenaudojamo prievado uždėkite dangtelį.
2. Didinkite slėgį, kol slėgio mažinimo vožtuvas suveiks.
3. Atsukite du PRV fiksavimo varžtus (1).
4. Atsukite PRV fiksavimo veržlę (2) sukdami pagal laikrodžio rodyklę.
5. Nustatykite slėgio mažinimo vožtuvą sukdami PRV reguliavimo veržlę (3).

Norėdami didinti slėgį: sukite PRV reguliavimo veržlę (3) prieš laikrodžio rodyklę.

Norėdami mažinti slėgį: sukite PRV reguliavimo veržlę (3) pagal laikrodžio rodyklę.

6. Nustatę PRV, laikykite reguliavimo veržlę (3) ir priveržkite fiksavimo veržlę (2).

**Pastaba.** Fiksavimo veržlės sriegis yra kairysis.

7. Patikrinkite PRV veikimą. Jei reikia, nustatykite PRV iš naujo.
8. Įtvirtinkite fiksavimo veržlę priverždami du fiksavimo varžtus (1).

#### 4.7 Gedimų nustatymas

Jei sistemoje sumažėja slėgis, patikrinkite toliau nurodytus dalykus.

1. Patikrinkite, ar skirstomasis vožtuvas (A1 pav.) (7) yra tinkamoje padėtyje ir tinkamai priveržtas.
2. Palikite pakankamai laiko po slėgio sudarymo, kad stabilizuotųsi temperatūra. Kuo didesnis sistemos tūris, tuo ilgiau trunka terminė stabilizacija.
3. Patikrinkite adapterių, lanksčios žarnelės ir jungčių tarp siurblio ir įrangos sandarumą. Priveržkite visas laisvas jungtis ir pakeiskite visus nusidėvėjusius arba sugadintus sandarikius.
4. Jei dirbant hidrauliniu režimu tūrio reguliavimo įtaisą galima įsukti iki galo, bet nepavyksta pasiekti maksimalaus slėgio, arba jei slėgis pasiekiamas, bet atrodo, kad jis iš karto lėtai mažėja, veikiausiai į sistemą pateko oro. Neatjungdami jokių siurblio arba bandomo įrenginio (DUT) jungčių dar kartą paruoškite siurbliu vakuuminio paruošimo metodu ir kartokite procedūrą.
5. Nustatę patikrinkite PRV slėgį.

Jei dėl kokios nors priežasties siurblyje įvyksta gedimas, rekomenduojame grąžinti įrangą paskirtam atstovui.

## 5. Bendroji specifikacija



**INFORMACIJA** Hidrauliniai skysčiai turi būti suderinami su nerūdijančiuoju plienu, anodintu aliuminiu, nitrilo guma, PTFE, polipropilenu, delrinu, akrilu ir nailonu.

Punktas	Specifikacija
Pneumatinio slėgio diapazonas	Nuo 0 iki 60 bar (nuo 0 iki 600 psi)
Vakuuminio slėgio diapazonas	Nuo 0 iki –0,95 bar <sup>a</sup> (nuo 0 iki 28,5 inHg) <sup>a</sup>
Hidraulinio slėgio diapazonas	Nuo 0 iki 700 bar (nuo 0 iki 10 000 psi)
Didžiausias saugus darbinis slėgis	700 bar (10 000 psi)
Slėgio jungtys	¼ col. BSP lygiagrečioji su vidiniu sriegiu (¼ col. NPT su vidiniu sriegiu JAV)
Didžiausia hidraulinio skysčio klampa	150 cSt esant 40 °C (104 °F)
Rekomenduojami hidrauliniai skysčiai	Deminerualizuotasis vanduo arba mineralinės alyvos (SAE 40W, ISO klamos klasė 150)
Matmenys (ilgis x plotis x gylis)	260 mm (10,2 col.) x 150 mm (5,3 col.) x 100 mm (3,7 col.)
Svoris (apytikslis)	1,2 kg (2,5 lb)

a. Ši vertė taikoma esant 1 bar (14,5 psi) atmosferos slėgiui ir skiriasi priklausomai nuo jo.

## 6. Prekių grąžinimo procedūra

Jei įrenginį reikia kalibruoti arba jis netinkamas naudoti, grąžinkite jį į artimiausią „Druck“ aptarnavimo centrą, nurodytą adresu: <https://druck.com/service>.



Norėdami gauti leidimą grąžinti prekes / medžiagas (RGA ar RMA), kreipkitės į aptarnavimo skyrių. Pateikite toliau nurodytą RGA ar RMA informaciją.

- Produktas (pvz., PV411A)
- Serijos numeris.
- Informacija apie gedimą / reikalingus atlikti darbus.
- Kalibravimo atsekamumo reikalavimai.
- Naudojimo sąlygos.

## 6.1 Saugumo priemonės



**INFORMACIJA** Jei prietaisą taisyks neįgalioji asmenys, garantija nebus taikoma ir tolesnis veikimas nebus užtikrintas.

Būtinai informuokite Druck, jei gaminyje buvo naudojamas su pavojingomis arba toksiškomis medžiagomis.

Darbo metu reikia vadovautis taikomomis COSHH arba JAV galiojančiomis MSDS nuostatomis, standartais ir atsargumo priemonėmis.

## 6.2 Patvirtinti priežiūros atstovai

Priežiūros centrų adresą žr.: <https://druck.com/service>.



# Introduksjon

Denne håndboken inneholder instruksjoner for PV411A pneumatisk/hydraulisk håndpumpe kompatibel med kravene for drift i første linje. PV411A erstatter PV411.

## Sikkerhet

Produsenten har utformet dette utstyret til å være trygt når det brukes med prosedyrene som beskrives i denne håndboken. Brukeren må ikke bruke dette utstyret til andre formål enn de som er angitt. Bruk bare hydraulikkvæsker som er angitt i spesifikasjonene.

Denne håndboken inneholder sikkerhets- og driftsinstruksjoner som må følges for å sørge for sikker bruk og å holde utstyret i god stand. Sikkerhetsinstruksjonene er enten advarsler eller forsiktighetsregler som er utstedt for å beskytte brukeren og utstyret fra skade.

Brukere må kontrollere at det ikke finnes synlig avstand eller slakk mellom plasthalvdelene på PV411A før bruk. Hvis det er synlig avstand eller slakk, må du ikke bruke den, men kontakte ditt lokale servicesenter. Se Avsnitt 6.2 på side 41 for mer informasjon.

Bruk egnede kvalifiserte teknikere<sup>1</sup> og god ingeniørpraksis for alle prosedyrene i denne håndboken.

## Trykk

Ikke påfør mer trykk enn det maksimale, sikre arbeidstrykket som er angitt i spesifikasjonene.

## Vedlikehold


Utstyret må vedlikeholdes ved bruk av prosedyrene i denne publikasjonen. Ytterligere produsentprosedyrer skal utføres av autoriserte servicerepresentanter eller ved produsentens serviceavdelinger.

## Tekniske råd

Hvis du trenger tekniske råd, kan du kontakte produsenten eller produsentens datterselskap.

## Symboler

Du finner følgende symboler på dette utstyret:

Symbol	Beskrivelse
	Hvis dette symbolet vises på utstyret, angir det en advarsel, og at brukeren skal se i brukerhåndboken.

## Forkortelser

Følgende forkortelsene brukes i denne utgivelsen.

**Merk:** Forkortelser skrives på samme måte i entall og flertall.

Forkortelse	Beskrivelse
°C	grader celsius
BSP	Britisk standard rørgjenge (British Standard Pipe thread)
cm	centimeter
COSHH	Forskrifter om kontroll av helseskadelige stoffer (Control of Substances Hazardous to Health regulations)
cSt	centi Stoke
°F	grader fahrenheit
inHg	tommer kvikksølv
lb	pund

1. Kvalifiserte teknikere må ha den tekniske kunnskapen, dokumentasjonen og det spesielle testutstyret og verktøyet som kreves for å utføre nødvendig arbeid med dette utstyret.

Forkortelse	Beskrivelse
ISO	International standardiseringsorganisasjon
kg	kilo
m	meter
mm	millimeter
MSDS	Sikkerhetsdatablad for materialer (Material Safety Data Sheet)
NPT	Nasjonal rørgjenge (National Pipe Thread)
PRV	trykkbegrensningsventil (pressure relief valve)
psi	pund per kvadrattomme
PTFE	polytetrafluoretylen
SAE	Society of Automotive Engineers
UUT	Enhet under testing (Unit under test)

## 1. Introduksjon

PV411A-håndpumpen genererer enten pneumatisk trykk og vakuum eller hydraulisk trykk. Ved å klemme håndtaket som en saks, genereres pneumatisk trykk og vakuum, og i hydraulisk modus genereres hydraulisk trykk for fylling av systemet.

### 1.1 Pneumatisk pumpe (Figur A1)

En velgerventil (7) lufter systemet i atmosfæren mellom valg av trykk og vakuum. Bruk av håndtakene med saksebevegelser (5) gir pumpelaget for trykkgenerering.

En justeringsmekanisme for volum (3) muliggjør små justeringer av systemtrykket.

### 1.2 Hydraulikkpumpe (Figur A1)

Velgerventilen (7) lufter systemet til beholderen mellom valg av trykk og vakuum (brukes i fyllingsprosessen). Justeringsmekanismen for volum (3) genererer ønsket systemtrykk. En væskebeholder (se Figur A2) som er skrudd inn i inntaksporten (1) og merket med RESERVOIR på toppen av håndpumpen, fullfører hydraulikkretsen. En trykkbegrensningsventil (8) kan justeres for å angi trykk mellom 30 og 700 bar (500 til 10 000 psi).

## 2. Drift



**ADVARSEL** Påse at alle koblingene er riktige og at innsiden av utstyret er rent og fritt for skade før det brukes trykk.

Påse at alt utstyr er satt til riktig trykkklasse. Ikke overskrid det maksimale driftstrykket som er angitt i spesifikasjonene.

Følg relevante helse- og sikkerhetsregler.



**FORSIKTIG** Hvis det brukes PTFE-tape til å forsegle NPT-gjenger, må du sikre at det kun brukes den mengden som er nødvendig for å forsegle trykket. Hvis det brukes for mye teip, kan partiklene løsne under koblingsparingsprosessen og gå inn i pumpen, og det kan potensielt føre til reduksjon av pumpens ytelse eller til trykklekkasjer.

**Merk:** Der det er mulig, må det brukes O-ringtetninger i BSP-koblingsportene, da dette er den anbefalte forseglingsmetoden.

### Stikkord til Figur A1

1. Inntaksport (beholder)
2. Utgangsport
3. Volumjusteringsmekanisme

4. Justeringsmekanisme for begrensnig
5. Håndtak med saksebevegelser
6. Utgangsport
7. Velgerventil
8. Trykkavlastningsventil (se Figur A3)

## 2.1 Konfigurasjon av trykk/vakuum (Figur A1)

I trykkmodus trekkes luft/væske inn gjennom inntaksporten (1) på toppen av pumpen og blir tvunget ut gjennom de to utgangsportene (2 og 6).

I vakuummodus reverseres luft-/væskestrømmen. Luft/væske trekkes inn gjennom topp og bakre utgangsporter (2 og 6) og går ut gjennom inntaksporten (1).

## 2.2 Koble til pumpen



**ADVARSEL Støtt trykkutgangsmutteren på PV411A når du foretar eller fjerner koblinger. Se Figur A4 for anbefalt metode for å støtte trykkutgangsmutteren på PV411A.**

Tilkoblingene kan gå enten direkte til pumpen eller ved hjelp av en rekke tilkoblingsutstyr som leveres i det testsettet som leveres som tilleggsutstyr.

### 2.2.1 Direkte

BSP-porter kan monteres med en passende lengde ¼ BSP-hannkobling som forsegles enten med en o-ring nederst på porten, eller en gummipakning på toppen. Fest en egnet blindplugg til en ubrukt port.

NPT-porter kan utstyres med en ¼ NPT-hannkobling av passende lengde. Fest en egnet blindplugg til en ubrukt port. Hvis det brukes PTFE-tape til å forsegle NPT-gjenger, må du sikre at det kun brukes den mengden som er nødvendig for å forsegle trykket. Hvis det brukes for mye teip, kan partiklene løse under koblingsparingsprosessen og gå inn i pumpen, og det kan potensielt føre til reduksjon av pumpens ytelse eller til trykklekkasjer.

### 2.2.2 Svingeadapter (tilleggsutstyr)

Den enkle ¼ BSP svingeadapteren kan kobles til en rekke faste adaptere. Bruk den rifledede grepfunksjonen og trekk til (med klokken) svingeadapteren for hånd til den er satt helt inn.

### 2.2.3 Svinge pumpehodet

Pumpehodet kan svinge 140° noe som gir optimal visningvinkel og gjør det egnet til bruk på benkeplater. Hvis du setter pumpen på en benkeplate, kan du bruke større kraft på håndtakene som brukes med saksebevegelser. Interne stoppere hindrer at pumpehodet roteres ytterligere.

**Merk:** Ikke bruk for mye kraft når du roterer pumpehodet.

## 2.3 Velgerventil

Trykk: Vri velgerventilen helt rundt med klokken (inn) (for hånd).

Vakuum: Vri velgerventilen helt rundt mot klokken (ut) (for hånd).

Ventiler: Vri velgerventilen til midtstillingen.



**INFORMASJON Unngå å skade instrumentene under testen ved å bruke volumjusteringsmekanismen for å frigjøre hydraulikktrykket sakte.**

## 2.4 Justeringsmekanisme for begrensnig av håndtak med saksebevegelser (Figur A1)

Hvis du dreier justeringsmekanismen for begrensnig (4) med klokken, reduseres slaget i håndtaket med

saksebevegelser (5). Hvis du dreier justeringsmekanismen for begrensnig (4) mot klokken, øker slaget.

For maksimalt pneumatisk trykkgenerasjon vrir du justeringsmekanismen for begrensnig helt rundt mot klokken.

## 3. Pneumatisk drift

### 3.1 Volumjusteringsmekanisme

Volumjusteringsmekanismen kan brukes i ulike modi:

#### 3.1.1 Lavt trykk

1. Når velgerventilen er satt til ventilering (åpen), vrir du volumjusteringsmekanismen helt rundt mot klokken (ut).
2. Vri velgerventilen helt rundt med klokken (inn) for å velge trykk.
3. Vri volumjusteringsmekanismen rundt med klokken for å generere trykk.

#### 3.1.2 Høyt trykk

1. Vri volumjusteringsmekanismen til midtposisjonen. I denne stillingen kan du finjustere det genererte trykket.
2. Bruk håndtaket med saksebevegelser til å generere det omtrentlige trykket, og vri volumjusteringsmekanismen med klokken (inn) for å øke trykket, eller vri den mot klokken (ut) for å redusere trykket.

#### 3.1.3 Vakuum

1. Vri velgerventilen helt rundt mot klokken (ut).
2. Vri volumjusteringsmekanismen til midtposisjonen. I denne stillingen kan du finjustere det genererte vakuomet.
3. Bruk håndtaket med saksebevegelser til å generere det omtrentlige vakuomet, og vri volumjusteringsmekanismen med klokken (inn) for å redusere vakuomet, eller vri den mot klokken (ut) for å øke vakuomet.

Bruk kun volumjusteringsmekanismen for lavt vakuum.

## 3.2 Generer pneumatisk trykk og vakuum (Figur A1)

Koble til pumpen som beskrevet i «Koble til pumpen» på side 38.

**Merk:** Det genereres varme når gass komprimeres. Gass som varmes opp eller kjøles ned i et lukket volum, forårsaker trykkforandringer. Det er viktig å gi nok tid til at den oppvarmede gassen kan avkjøles og trykket stabiliseres.

Pumpingen som kreves for å generere trykk, avhenger av systemvolumet. Derfor må systemvolumet være minst mulig.

### 3.2.1 Trykk

1. Vri velgerventilen (7) helt rundt med klokken (inn).
2. Bruk håndtakene med saksebevegelser (5) for å generere det omtrentlige trykket, og gi litt tid for termisk stabilisering.
3. Hvis nødvendig, bruker du volumjusteringsmekanismen (3) til å justere det nødvendige trykket.
4. Når du har oppnådd ønsket trykk, bruker du håndtakene med saksebevegelser (5) for å generere høyere trykk. Alternativt kan du ventilere trykket i atmosfæren ved å dreie velgerventilen (7) (mot klokken) til midtstillingen.
5. Når dette er fullført, trykkavlaster du pumpen og kobler den fra rørene og utstyret.

### 3.2.2 Vakuum

1. Vri velgerventilen (7) helt mot venstre (ut).
2. Bruk håndtakene med saksebevegelser (5) for å generere det omtrentlige vakuemet, og gi litt tid for termisk stabilisering.
3. Ved behov bruker du volumjusteringsmekanismen (3) til å justere det nødvendige vakuemet.
4. Når du har oppnådd ønsket vakuum, bruker du håndtakene med saksebevegelser (5) for å generere høyere vakuum. Alternativt kan du ventilere atmosfæren i vakuemet ved å dreie velgerventilen (7) (mot klokken) til midtstillingen.
5. Når dette er fullført, trykkavlaster du pumpen og kobler den fra rørene og utstyret.

## 4. Hydraulisk drift



**ADVARSEL** Følg sikkerhetsforholdsreglene og prosedyrene som er angitt i de lokale bestemmelsene.



**FORSIKTIG** Ikke bland hydraulikkvæsker. Bruk bare kompatible væsker – se spesifikasjonene.

Bare monter passende tetninger på trykktilkoblingene.

Det kan oppstå skade hvis utstyr som er koblet til denne pumpen, er forurenset. Unngå partikkelforurensning.

Etter bruk skal pumpen vurderes som forurenset med hydraulisk væske.

**Merk:** Der det er mulig, må det brukes O-ringtetninger i BSP-koblingsportene, da dette er den anbefalte foreseingsmetoden.

### Stikkord til Figur A2

1. Låsemutter til beholderdeksel
2. Beholderdeksel
3. O-ring
4. Tappehull

### 4.1 Væskebeholder (Figur A2)

Hovedmodulen til beholderen er av gjennomsiktig akryl og gjør det lett å se innholdet.

Beholderen kan fjernes fra pumpen uten at væsken må tømmes ut først, da en selvteittende kobling forhindrer lekkasje. Dekselet til den fjærbelastede beholderen (2) tettes under atmosfæriske trykkforhold, men ved utilsiktet trykksetting slipper ventilene ut overlødig internt trykk uten at det forårsaker skade.

Beholderen kobler til inntaksporten på toppen av pumpen og fører væske til pumpe-systemet der det genereres trykk.

I vakuummodusen som brukes ved fylling, reverseres væskestrømmen slik at væsken trekkes inn fra de to utgangsåpningene og fortsetter til inntaksporten og beholderen.

### 4.2 Festing

Pass på at riktig o-ringtetning (3) er festet på inntaksporten for å forhindre lekkasje. Skru beholderen (med klokken) inn i inntaksåpningen merket RESERVOIR.

**Merk:** Avsaltet vann brukes av produsenten til å teste pumpen. Når pumpen sendes, vil systemet inneholde spor av avsaltet vann.

### 4.3 Fylling

1. Skru løs låsemutteren (1) for beholderdekselet og fjern beholderdekselet (2).
2. Bruk ren, anbefalt væske til å fylle beholderen til ca. 2/3 full.
3. Sett på dekselet igjen og trekk til låsemutteren (1).
4. Koble til påkrevde rør og utstyr til utgangsportene.

### 4.4 Fylle systemet

Det er to måter å gjøre det på: bruk av vakuum for å trekke ut luften eller forhåndsfylle systemet.

**Merk:** Hvis det fortsatt er luft i systemet, kan det ikke oppnå fullt trykk, da luften i væsken komprimeres. Luft i systemvæsken må fjernes.

Begge fyllingsmetodene krever at pumpen holdes i vertikal stilling slik at beholderens tappehull (4) er dekket av væske. Ikke la det komme luft inn i systemet gjennom tappehullet (4).

#### 4.4.1 Fylle ved hjelp av vakuum (Figur A2)

1. Koble til utstyret som beskrevet i «Drift» på side 37.
2. Luft kan fjernes ved hjelp av vakuumsensitiviteten på pumpen.

**Merk:** Denne metoden skal ikke brukes med vakuumsensitivt utstyr.

3. Drei velgerventilen helt ut mot klokken (vakuumposisjon).
4. Vri volumjusteringsmekanismen helt rundt mot klokken (ut).
5. Pump til det ikke lenger vises bobler i tanken (det genererer vakuum i systemet).
6. Drei velgerventilen helt inn (denne handlingen utløser vakuum og fyller raskt opp systemet med væske fra beholderen). Det anbefales å generere hydraulisk trykk og deretter slippe trykket og gjenta vakuumsensitiviteten én gang til for å bekrefte at all luften i systemet er fjernet.
7. Pumpen og det tilkoblede systemet er klart til bruk.

#### 4.4.2 Forhåndsfylle

1. Koble til utstyret som beskrevet i «Drift» på side 37.
2. Vri velgerventilen helt rundt med klokken (inn).
3. Løsne låsemutteren (1) for å åpne beholderdekselet (2) og slipp atmosfærisk trykk inn i toppen av beholderen.
4. Åpne tappeventilen på UUT.
5. Fyll på systemet ved å varsomt bruke håndtakene med saksebevegelser. Stopp pumpingen når væsken kommer ut av tappeventilen.
6. Lukk tappeventilen på UUT.
7. Hvis nødvendig, skal beholderen fylles med ren væske til 2/3-nivået.
8. Fest beholderdekselet ved å stramme til låsemutteren (1).
9. Pumpen og det tilkoblede systemet er klart til bruk.

### 4.5 Generere hydraulisk trykk (Figur A1)

**Merk:** Det genereres varme ved å trykkesettene en væske. Væske som varmes opp eller kjøles ned i et lukket volum, forårsaker trykkforandringer. Tillat nok tid til termisk stabilisering.

1. Ved behov kan du stille inn PRV. Se neste avsnitt.
2. Åpne velgerventilen (7) mot klokken med 1 omdreining.

3. Drei volumjusteringsmekanismen (3) helt ut (mot klokken).
4. Lukk velgerventilen (7).
5. Bruk h ndtakene med saksebevegelser (5) for   generere det innledende trykket.
6. Drei deretter volumjusteringsmekanismen (3) med klokken for   generere n dvendig trykk, og gi det litt tid for termisk stabilisering.
7. Hvis du vil redusere trykket, vrir du volumjusteringsmekanismen (3) ut (mot klokken) til  nsket trykk.
8. Etter fullf ring vrir du volumjusteringsmekanismen (3) helt ut (mot klokken) og vrir velgerventilen (7) for   avlaste trykket i pumpen. Koble fra r r og utstyr.

#### 4.6 Stille inn trykkavlastingsventilen (Figur A3)

Trykkbegrensningsventilen (PRV) kan settes til trykk fra 30 til 700 bar (500 til 10 000 psi).



**FORSIKTIG Ikke overskrid 700 bar (10 000 psi). Det kan skade de innvendige tetningene p  PRV og PV411A**

Hvis systemtrykket overskrider det angitte trykket,  pnes PRV og ventilerer v ske gjennom inntaksporten til beholderen. N r systemtrykket synker under det angitte trykket, lukkes PRV.

##### Stikkord til Figur A3

1. PRV-l seskrue (antall: 2)
2. PRV-l semutter (med venstre gjenge)
3. PRV-justeringsmutter (med venstre gjenge)

##### 4.6.1 Slik stiller du inn PRV:

1. Koble en egnet trykkindikator til en av utgangsportene (Figur A1) (2) eller (6). Monter en blindplugg til den ubrukte porten.
2.  k trykket helt til trykkbegrensningsventilen fungerer.
3. L sne de to PRV-l seskrueene (1).
4. L sne PRV-l semutteren (2) ved   vri med klokken.
5. Still inn avlastningstrykket ved   vri p  PRV-justeringsmutteren (3).

Slik  ker du trykket: Vri PRV-justeringsmutteren (3) mot klokken.

Slik reduserer du trykket: Vri PRV-justeringsmutteren (3) med klokken.

6. N r du har stilt inn PRV, holder du justeringsmutteren (3) p  plass og strammer til l semutteren (2).

**Merk:** L semutteren er venstregjenget.

7. Sjekk driften av PRV. Om n dvendig m  du tilbakestille PRV.
8. Fest l semutteren ved   stramme til de to l seskrueene (1).

#### 4.7 Feils ke

Hvis systemtrykket reduseres, m  du kontrollere f lgende:

1. Kontroller at velgerventilen (Figur A1) (7) er i riktig posisjon og riktig strammet til.
2. S rg for tilstrekkelig tid til at temperaturen stabiliseres etter trykkgenerering. St rre systemvolum trenger lenger tid til   oppn  termisk stabilitet.
3. Sjekk adaptere, fleksible r r og koblinger mellom pumpen og utstyret n r du tester for lekkasjer. Stram til

alle l se koblinger og skift ut eventuelle tetninger som er slitt eller skadet.

4. I hvis volumjusteringsmekanismen kan trekkes helt inn i hydraulisk modus, men det maksimale trykket ikke kan oppn s, eller hvis trykket kan oppn s, men hvis det later til   v re en innledende sakte reduksjon, er det trolig luft i systemet. Uten at du kobler fra noen pumper eller DUT-koblinger, fyller du p  igjen med vakuummetoden og gjentar.
5. Sjekk PRV-trykkinnstillingen.

Hvis det uansett  rsak oppst r feil innvendig i pumpen, anbefales det at utstyret returneres til en aktuell agent.

## 5. Generelle spesifikasjoner



**INFORMASJON** Hydrauliske v sker m  v re kompatible med rustfritt st l, anodisert aluminium, nitrilgummi, PTFE, polypropylen, delrin, akryl og nylon.

Punkt	Spesifikasjon
Pneumatisk trykkomr�de	0 til 60 bar (0 til 600 psi)
Vakuumentrykkomr�de	0 til -0,95 bar <sup>a</sup> (0 til 28,5 inHg) <sup>a</sup>
Hydraulisk trykkomr�de	0 til 700 bar (0 til 10 000 psi)
Maksimalt sikker arbeidstrykk	700 bar (10 000 psi)
Trykktilkoblinger	1/4" BSP parallell hunnkobling (1/4" NPT hunnkobling i USA)
Maksimal hydraulisk v�skeviskositet	150 cSt ved 40 �C (104 �F)
Anbefalte hydraulikkv�sker	Avsaltet vann eller mineralbaserte oljer (SAE 40W, ISO-viskositetsgrad 150)
M�l (Lengde x bredde x dybde)	260 mm (10,2 tommer) x 150 mm (5,3 tommer) x 100 mm (3,7 tommer)
Vekt (omtrentlig)	1,2 kg (2,5 lb)

a. Denne verdien forutsetter atmosf risk trykk p  1 bar (14,5 psi) og varierer avhengig av atmosf risk trykk.

## 6. Prosedyre for returnerte varer

Hvis enheten krever kalibrering eller er ubrukelig, kan den returneres til n rmeste Druck-servicesenter. Det finner du p : <https://druck.com/service>.

Kontakt serviceavdelingen for   f  en autorisasjon for retur av gods/materiale (RGA eller RMA). Oppgi f lgende informasjon for en RGA eller RMA:

- Produkt (f.eks. PV411A)
- Serienummer.
- Informasjon om defekter / arbeid som m  utf res.
- Sporbarhetskrav for kalibreringen.
- Driftsforhold.

### 6.1 Sikkerhetsforholdsregler



**INFORMASJON** Service utf rt av ikke-autoriserte kilder, p virker garantien og kan ikke garantere ytterligere ytelse.

Du m  informere Druck hvis produktet er i kontakt med farlig eller giftig materiale.

Det skal brukes relevante COSHH, eller MSDS i USA, referanser og tas n dvendige forholdsregler ved bruk.

## **6.2 Godkjente serviceagenter**

Du finner listen over servicesentre:

**<https://druck.com/service>.**





# Introdução

Este manual fornece instruções operacionais para a bomba manual pneumática/hidráulica PV411A compatíveis com os requisitos da operação em linha. A PV411A substitui a PV411.

## Segurança

O fabricante desenvolveu este equipamento para ser seguro quando operado seguindo os procedimentos detalhados neste manual. O usuário não deve utilizar este equipamento para nenhuma outra finalidade além da especificada. Utilize apenas os fluidos hidráulicos mencionados na especificação.

Este manual contém instruções de segurança e operação que devem ser seguidas para garantir uma operação segura e manter o equipamento em condições seguras. As instruções de segurança são avisos de advertências ou atenções publicados para proteger o usuário e o equipamento de ferimentos ou danos.

Os usuários devem se certificar de que não haja espaço ou distância visível entre as metades de plástico da PV411A antes do uso. Se o espaço ou distância forem evidentes, não use. Entre em contato com o seu Centro de Serviço. Consulte Seção 6.2 na página 47 quanto a detalhes.

Use técnicos<sup>1</sup> qualificados adequados e boa prática de engenharia para todos os procedimentos neste manual.

### Pressão

Não aplique pressão maior do que a pressão de operação segura máxima indicada na especificação.

### Manutenção


O equipamento deverá ser mantido de acordo com os procedimentos nesta publicação. Outros procedimentos do fabricante devem ser realizados por agentes de manutenção autorizados ou pelos departamentos de manutenção do fabricante.

### Consultoria técnica

Para consultoria técnica, entre em contato com o fabricante ou a subsidiária.

### Símbolos

Os símbolos a seguir marcam este equipamento:

Símbolo	Descrição
	Este símbolo, no equipamento, indica uma advertência e que o usuário deve consultar o manual do usuário.

### Abreviações

As seguintes abreviações são utilizadas nesta publicação.

**Observação:** Abreviações são iguais no singular e no plural.

Abreviação	Descrição
°C	graus Celsius
BSP	Rosca da tubulação padrão britânico
cm	centímetro
COSHH	Controle de regulamentações de Saúde para Substâncias Perigosas
cSt	centiStoke

Abreviação	Descrição
°F	graus Fahrenheit
inHg	polegadas de mercúrio
lb	libras
ISO	International Standards Organisation (Organização Internacional de Padronização)
kg	quilograma
m	metro
mm	milímetro
MSDS	Folha de Dados de Segurança de Materiais
NPT	Rosca de tubulação nacional
PRV	válvula de alívio de pressão
psi	libras por polegada quadrada
PTFE	politetrafluoretileno
SAE	Society of Automotive Engineers (Sociedade de Engenheiros Automotivos)
UUT*	Unidade em teste

## 1. Introdução

A bomba manual PV411A gera pressão pneumática e vácuo ou pressão hidráulica. As manivelas do tipo tesoura possibilitam a geração de pressão pneumática e vácuo e, no modo hidráulico, a geração de pressão hidráulica para escorvamento do sistema.

### 1.1 Bomba pneumática (Figura A1)

Uma válvula seletora (7) abre a entrada de ar no sistema, entre as seleções de pressão e vácuo. Operar as manivelas do tipo tesoura (5) cria um movimento de bombeamento que gera pressão.

Um ajuste de volume (3) permite pequenos ajustes na pressão do sistema.

### 1.2 Bomba hidráulica (Figura A1)

Uma válvula seletora (7) abre o sistema para o reservatório, entre as seleções de pressão e vácuo (utilizada no processo de escorvamento). O ajuste do volume (3) gera a pressão de sistema necessária. Um reservatório de fluidos (veja a Figura A2), fixado com parafusos na porta de entrada (1) marcada como RESERVOIR (Reservatório) no topo da bomba manual, completa o circuito hidráulico. Uma válvula de alívio de pressão (8) pode ser ajustada para definir a pressão entre 30 e 700 bar (500 a 10.000 psi).

1. Um técnico qualificado deve ter o conhecimento técnico, documentação, equipamento e ferramentas de teste especiais necessários para executar o trabalho exigido neste equipamento.

## 2. Operação



**ADVERTÊNCIA** Antes de aplicar pressão, verifique se todas as conexões estão corretas e se o equipamento está limpo e sem danos internamente.

Verifique se todo o equipamento está no coeficiente de pressão correto.

Não exceda a pressão operacional máxima indicada nas especificações.

Observe as precauções relevantes de saúde e segurança.



**ATENÇÃO** Se a fita de PTFE for utilizada para vedar rosqueamentos NPT, garanta que a quantidade exata necessária seja usada para atingir vedação de pressão. Se for utilizado um excesso de fita, as partículas podem se soltar durante o processo de acoplamento dos conectores e entrar na bomba, potencialmente prejudicando o seu desempenho ou provocando vazamentos de pressão.

**Observação:** Quando possível, use vedação de anel em O nas portas de conexão BSP. Esse é o método de vedação recomendável.

### Legenda da Figura A1

1. Porta de entrada (reservatório)
2. Porta de saída
3. Ajuste de volume
4. Ajuste de limite
5. Manivelas do tipo tesoura
6. Porta de saída
7. Válvula seletora
8. Válvula de alívio de pressão (veja Figura A3)

### 2.1 Configuração de pressão/vácuo (Figura A1)

No modo de pressão, o ar/fluido é puxado pela porta de entrada (1) no topo da bomba e expulso através das duas portas de saída (2 e 6).

No modo de vácuo, o fluxo de ar/fluido é invertido e o ar/fluido é puxado através das portas de saída superior e inferior (2 e 6) e expelido pela porta de entrada (1).

### 2.2 Conectar a bomba



**ADVERTÊNCIA** Suporte à porca da porta de pressão PV411A ao fazer ou remover conexões. Veja a Figura A4 para o método recomendado de suporte à porca da porta de pressão PV411A.

As conexões na bomba podem ser feitas diretamente ou usando os adaptadores fornecidos no kit de teste opcional.

#### 2.2.1 Direto

As portas BSP podem ser encaixadas com um conector de BSP macho de ¼ pol. com comprimento adequado, vedando com um anel do tipo O na parte inferior da porta ou uma vedação colada na parte superior. Coloque um plugue cego adequado em uma porta não utilizada.

As portas NPT podem ser encaixadas com qualquer conector NPT de 1/4 de comprimento adequado. Coloque um plugue cego adequado em uma porta não utilizada. Se a fita de PTFE for utilizada para vedar rosqueamentos

NPT, garanta que a quantidade exata necessária seja usada para atingir vedação de pressão. Se for utilizado um excesso de fita, as partículas podem se soltar durante o processo de acoplamento dos conectores e entrar na bomba, potencialmente prejudicando o seu desempenho ou provocando vazamentos de pressão.

#### 2.2.2 Adaptadores giratórios (opcionais)

O adaptador giratório único com BSP de ¼ de pol. conecta-se a diversos adaptadores fixos. Segurando pela parte serrilhada, aperte manualmente (em sentido horário) o adaptador até ele estar totalmente inserido.

#### 2.2.3 Cabeça de bomba giratória

A cabeça da bomba gira 140° fornecendo um ângulo de visualização ótimo e permitindo operação em bancada. Colocar a bomba na bancada permite que uma maior força seja aplicada às manivelas do tipo tesoura. Paradas internas impedem uma maior rotação da cabeça da bomba.

**Observação:** Não utilize força excessiva ao girar a cabeça da bomba.

### 2.3 Válvula seletora

Pressão: Gire a válvula seletora até o fim (para dentro) em sentido horário (aperto manual).

Vácuo: Gire a válvula seletora até o fim (para fora) em sentido anti-horário (aperto manual).

Respiradouro: Gire lentamente a válvula seletora para a posição central.



**INFORMAÇÕES** Evite danificar o instrumento em teste utilizando o ajuste de volume para liberar lentamente a pressão hidráulica.

### 2.4 Ajuste de limite das manivelas do tipo tesoura (Figura A1)

Girar o ajuste de limite (4) em sentido horário reduz o curso das manivelas do tipo tesoura (5), girar o ajuste de limite (4) em sentido anti-horário aumenta o curso.

Para gerar pressão pneumática máxima, gire o ajuste de limite até o fim em sentido anti-horário.

## 3. Operação pneumática

### 3.1 Ajuste de volume

O ajuste de volume pode ser utilizado em modos diferentes:

#### 3.1.1 Baixa pressão

1. Com a válvula seletora ajustada para o respiradouro (abertura), gire o ajuste de volume até o fim em sentido anti-horário (para fora).
2. Gire a válvula seletora até o fim (para dentro), em sentido horário, para selecionar a pressão.
3. Gire o ajuste de volume em sentido horário para gerar pressão.

#### 3.1.2 Pressão alta

1. Gire o ajuste de volume para a posição do meio. Nessa posição, podem ser feitos ajustes finos da pressão gerada.
2. Usando manivelas do tipo tesoura, gere a pressão aproximada e, em seguida, gire o ajuste de volume em sentido horário (para dentro) para aumentar a pressão ou gire o ajuste de volume em sentido anti-horário (para fora) para diminuir a pressão.

### 3.1.3 Vácuo

1. Gire a válvula seletora até o fim (para fora) em sentido anti-horário.
2. Gire o ajuste de volume para a posição do meio. Nessa posição, podem ser feitos ajustes finos do vácuo gerado.
3. Aperte as manivelas do tipo tesoura, gere o vácuo aproximado e, em seguida, gire o ajuste de volume em sentido horário (para dentro) para diminuir o vácuo ou gire o ajuste de volume em sentido anti-horário (para fora) para aumentar o vácuo.

Para vácuo baixo, use apenas o ajuste de volume.

## 3.2 Gerar pressão pneumática e vácuo (Figura A1)

Conecte a bomba conforme detalhado na "Conectar a bomba" na página 44.

**Observação:** Comprimir um gás gera calor. Aquecimento ou resfriamento a gás em um volume fechado provoca uma mudança de pressão. É importante aguardar tempo suficiente para o gás aquecido esfriar e a pressão se estabilizar.

O bombeamento necessário para gerar uma pressão depende do volume do sistema. Portanto, mantenha o volume do sistema no mínimo.

### 3.2.1 Pressão

1. Gire a válvula seletora (7) até o fim (para dentro) em sentido horário.
2. Utilize as manivelas do tipo tesoura (5) para gerar a pressão aproximada e aguarde a estabilização térmica.
3. Se necessário, use o ajuste de volume (3) para ajustar a pressão necessária.
4. Depois de obter a pressão necessária, opere as manivelas do tipo tesoura (5) para gerar uma pressão maior. Você também pode abrir a pressão para a entrada de ar girando lentamente (em sentido anti-horário) a válvula seletora (7) para a posição central.
5. Após a conclusão, despressurize a bomba e desconecte das tubulações e do equipamento.

### 3.2.2 Vácuo

1. Gire a válvula seletora (7) até o fim (para fora) em sentido anti-horário.
2. Opere as manivelas do tipo tesoura (5) para gerar o vácuo aproximado, dando tempo para a estabilização térmica.
3. Se necessário, use o ajuste de volume (3) para ajustar o vácuo necessário.
4. Depois de obter o vácuo necessário, opere as manivelas do tipo tesoura (5) para gerar um vácuo maior. Você também pode abrir a entrada de ar no vácuo girando lentamente (em sentido anti-horário) a válvula seletora (7) para a posição central.
5. Após a conclusão, despressurize a bomba e desconecte das tubulações e do equipamento.

## 4. Operação hidráulica



**ADVERTÊNCIA** Observe todas as precauções e procedimentos de segurança definidos nas normas locais.



**ATENÇÃO** Não misture fluidos hidráulicos. Utilize apenas os fluidos compatíveis, consulte a especificação.

**Coloque apenas vedações apropriadas nas conexões.**

**Podem ocorrer danos se o equipamento conectado a essa bomba estiver contaminado. evite contaminação por partículas.**

**Após o uso, a bomba deverá ser considerada contaminada por fluxo hidráulico.**

**Observação:** Quando possível, use vedação de anel em O nas portas de conexão BSP. Esse é o método de vedação recomendável.

### Legenda da Figura A2

1. Parafuso de fixação da tampa do reservatório
2. Tampa do reservatório
3. Anel em O
4. Orifício de sangria

### 4.1 Reservatório de fluidos (Figura A2)

O corpo principal do reservatório é de acrílico transparente proporcionando uma visão nítida do conteúdo.

O reservatório pode ser removido da bomba sem necessidade de esvaziar o fluido; uma conexão de autovedação evita o vazamento. A tampa do reservatório com mola (2) fecha sob condições de pressão atmosférica, mas abre para liberar o excesso de pressão interna sem causar problemas em caso de pressurização inadvertida.

O reservatório conecta-se à porta de entrada no topo da bomba e fornece fluido ao sistema de bombeamento para geração de pressão.

No modo de vácuo, utilizado no escorvamento, o fluxo do fluido é invertido. O fluido passa pelas duas portas de saída e através da porta de entrada e do reservatório.

### 4.2 Encaixe

Verifique se a vedação de anel em O (3) correta está encaixada na porta de entrada para evitar vazamento. Aparafuse o reservatório (em sentido horário) na porta marcada como RESERVOIR (Reservatório).

**Observação:** Água desmineralizada é utilizada para testar a bomba no fabricante. Na entrega, haverá traços de água desmineralizada no sistema.

### 4.3 Enchimento

1. Desparafuse a rosca de fixação da tampa do reservatório (1) e remova a tampa do reservatório (2).
2. Usando um fluido limpo recomendado, encha o reservatório até aproximadamente 2/3 da sua capacidade total.
3. Recoloque a tampa do reservatório e aperte novamente a rosca de fixação (1).
4. Conecte as tubulações e o equipamento necessários às portas de saída.

### 4.4 Escorvar o sistema

Existem dois métodos: escorvar a vácuo para extrair o ar ou encher previamente o sistema.

**Observação:** Se o sistema continuar com ar, a pressão total não poderá ser atingida visto que o ar no fluido é comprimido. O ar deve ser removido do fluido do sistema. Os dois métodos de escorvamento exigem que a bomba seja colocada na posição vertical para manter o orifício de sangria do reservatório (4) no fluido. Não permita que entre ar no sistema através do orifício de sangria (4).

#### 4.4.1 Escorvamento a vácuo (Figura A2)

1. Conecte o equipamento conforme detalhado na "Operação" na página 44.
2. O ar pode ser removido utilizando o recurso de vácuo na bomba.  
**Observação:** Este método não deve ser utilizado com equipamento sensível a vácuo.
3. Gire a válvula seletora até o fim em sentido anti-horário (vácuo).
4. Gire o ajuste de volume até o fim (para fora) em sentido anti-horário.
5. Bombeie até as bolhas pararem de aparecer no reservatório (isso gera um vácuo no sistema).
6. Gire a válvula seletora totalmente para dentro, (essa ação libera o vácuo e rapidamente enche o sistema com fluido do reservatório). É aconselhável gerar uma pequena pressão hidráulica e, depois, libere essa pressão e repita a sequência de escorva de vácuo acima uma segunda vez, para verificar se qualquer ar no sistema tiver sido removido.
7. A bomba e o sistema conectados estão prontos para uso.

#### 4.4.2 Pré-enchimento

1. Conecte o equipamento conforme detalhado "Operação" na página 44.
2. Gire a válvula seletora até o fim (para dentro) em sentido horário.
3. Solte a rosca de fixação da tampa do reservatório (1) para abrir a tampa do reservatório (2) e permita que a pressão atmosférica entre no topo do reservatório.
4. Abra a válvula de sangria na UUT.
5. Opere com cuidado as manivelas do tipo tesoura para encher o sistema. Pare de bombear quando o fluido sair da válvula de sangria.
6. Feche a válvula de sangria na UUT.
7. Se necessário, encha o reservatório até 2/3 do nível completo com fluido limpo.
8. Preencha a tampa do reservatório apertando a sua rosca de fixação (1).
9. A bomba e o sistema conectados estão prontos para uso.

#### 4.5 Gerar pressão hidráulica (Figura A1)

**Observação:** Comprimir um fluido gera calor. Um fluido aquecido ou resfriado em um volume fechado provoca uma mudança de pressão. Aguarde até que ele se estabilize termicamente

1. Se necessário, ajuste a PRV; veja a próxima seção.
2. Abra a válvula seletora (7) girando uma volta em sentido anti-horário.
3. Aparafuse o ajuste de volume (3) até o fim (em sentido anti-horário).
4. Feche a válvula seletora (7).
5. Use as manivelas do tipo tesoura (5) para gerar a pressão inicial.

6. Em seguida, gire o ajuste de volume (3) em sentido horário para gerar a pressão necessária e aguarde a estabilização térmica.
7. Para reduzir a pressão, gire o ajuste de volume (3) para fora (anti-horário) até obter a pressão necessária.
8. Depois da conclusão, gire o ajuste de volume (3) para fora até o fim (anti-horário) e gire a válvula seletora (7) para despressurizar a bomba. Desconecte das tubulações e do equipamento.

#### 4.6 Ajuste da válvula de alívio de pressão (Figura A3)

Uma válvula de alívio de pressão (PRV) pode ser ajustada para pressão de 30 a 700 bar (500 a 10.000 psi).



**ATENÇÃO** Não exceda 700 bar (10.000 psi). Isso pode danificar as vedações internas da PRV e da PV411A

Se a pressão do sistema exceder a pressão definida, a PRV abre e deixa entrar o fluido através da porta de entrada para o reservatório. Quando a pressão do sistema for inferior à pressão definida, a PRV fecha.

##### Legenda da Figura A3

1. Parafuso de fixação da PRV (quantidade 2)
2. Rosca de fixação da PRV (com rosca para esquerda)
3. Rosca de ajuste da PRV (com rosca para esquerda)

##### 4.6.1 Para ajustar a PRV:

1. Conecte um indicador de pressão adequado à porta de saída (Figura A1) (2) ou (6). Insira um plugue cego na porta não utilizada.
2. Aumente a pressão até a válvula de alívio de pressão entrar em operação.
3. Solte os dois parafusos de fixação da PRV (1).
4. Solte a rosca de fixação da PRV (2) girando-a em sentido horário.
5. Ajuste a pressão de alívio girando a rosca de ajuste da PRV (3).

Para aumentar a pressão: Gire a rosca de ajuste da PRV (3) em sentido anti-horário.

Para diminuir a pressão: Gire a rosca de ajuste da PRV (3) em sentido horário.

6. Depois de ajustar a PRV, mantenha a rosca de ajuste (3) no lugar e aperte a rosca de fixação (2).

**Observação:** A rosca de fixação é rosqueada para a esquerda.

7. Verifique a operação da PRV. Se necessário, reinicie a PRV.
8. Preencha a rosca de fixação apertando os dois parafusos de fixação (1).

#### 4.7 Identificação de falhas

Se a pressão do sistema reduzir, verifique o seguinte:

1. Verifique se a válvula seletora (Figura A1) (7) está na posição correta e devidamente apertada.
2. Aguarde tempo suficiente após gerar a pressão até a temperatura estabilizar. Quanto maior o volume do sistema, maior o tempo necessário para a estabilidade térmica.
3. Verifique os adaptadores, a tubulação flexível e as conexões entre a bomba e o equipamento em teste quanto a vazamentos. Aperte as junções frouxas e troque todas as vedações que estejam desgastadas ou danificadas.

4. No modo hidráulico, se o ajuste de volume puder ser girado até o fim, mas a pressão máxima não pode ser atingida ou, se a pressão tiver sido atingida, mas uma redução inicial mais lenta parece estar presente, há provavelmente ar preso no sistema. Sem desconectar nenhuma bomba ou conexões de DUT, escoreve novamente usando o método de escorvamento a vácuo e repita.

5. Verifique o ajuste de pressão da PRV.

Se, por algum motivo, ocorrer uma falha na bomba, é recomendável que o equipamento seja devolvido para um agente indicado.

## 5. Especificações gerais



**INFORMAÇÕES** Os fluidos hidráulicos devem ser compatíveis com aço inoxidável, alumínio anodizado, borracha nitrílica, PTFE, polipropileno, Delrin, acrílico e náilon.

Item	Especificação
Faixa de pressão pneumática	0 a 60 bar (0 a 600 psi)
Faixa de pressão a vácuo	0 a -0,95 bar <sup>a</sup> (0 a 28,5 inHg) <sup>a</sup>
Variação de pressão hidráulica	0 a 700 bar (0 a 10.000 psi)
Pressão máxima para operação segura	700 bar (10.000 psi)
Conexões de pressão	Fêmea paralela de ¼ pol. BSP (¼ pol. NPT fêmea nos EUA)
Viscosidade fluida hidráulica máxima	150 cSt a 40°C (104°F)
Fluidos hidráulicos recomendados	Água desmineralizada ou óleos minerais (SAE 40W, classe de viscosidade 150 da ISO)
Dimensões (Comprimento x Largura x Profundidade)	260 mm (10,2 pol.) x 150 mm (5,3 pol.) x 100 mm (3,7 pol.)
Peso (aproximado):	1,2 kg (2,5 lb.)

a. Esse valor considera uma pressão atmosférica de 1 bar (14,5 psi) e varia conforme a pressão atmosférica.

## 6. Procedimento para Produtos Devolvidos

Se a unidade precisar de calibração ou não puder mais ser utilizada, ela pode ser devolvida para a Central de Serviços da Druck em: <https://druck.com/service>.

Entre em contato com o Departamento de Serviço para obter uma Autorização de Devolução de Produtos/Material (RGA ou RMA). Forneça as seguintes informações tanto na RGA como na RMA:

- Produto (ex.: PV411A)
- Número de série
- Detalhes do defeito/trabalho a ser realizado
- Exigências de rastreabilidade de calibração
- Condições de operação

## 6.1 Precauções de segurança



**INFORMAÇÕES** A manutenção realizada por pessoas não autorizadas afeta a garantia e pode anular a garantia de desempenho futuro.

Você deve informar a Druck se o produto tiver entrado em contato com qualquer substância perigosa ou tóxica.

A COSHH relevante ou, nos EUA, MSDS, referências e precauções a serem tomadas na sua manipulação.

## 6.2 Agentes de manutenção aprovados

Para a lista das centrais de serviço:

<https://druck.com/service>.



## Вступление

В этом руководстве приведены инструкции по эксплуатации пневматических/гидравлических ручных насосов PV411A, отвечающие требованиям по эксплуатации линии. Насосы PV411A предназначены на замену модели PV411.

## Техника безопасности

Производителем предусмотрена безопасная эксплуатация данного оборудования при условии выполнения правил, изложенных в руководстве. Использование оборудования не по назначению не допускается. Разрешается использовать только гидравлические жидкости, указанные в технических характеристиках.

В руководстве содержатся инструкции, которые обязательны к выполнению в целях соблюдения техники безопасности и для поддержания исправного состояния оборудования. Инструкции по технике безопасности — это предупреждения, направленные на защиту пользователя и оборудования от травм и повреждений.

Перед использованием пользователи должны убедиться в отсутствии видимых зазоров и люфта между пластиковыми половинками PV411A. При очевидном наличии зазора или люфта не используйте оборудование, а свяжитесь с местным сервисным центром. Подробности см. в Раздел 6.2 на стр. 54.

Используйте технических специалистов<sup>1</sup> с необходимым опытом и надлежащей инженерной практикой при выполнении всех процедур в настоящем руководстве.

### Давление

Не разрешается подавать давление выше максимально допустимого рабочего давления, указанного в технических характеристиках.

### Техническое обслуживание

Оборудование должно обязательно проходить техническое обслуживание в порядке, установленном данным документом. В дальнейшем процедуры производителя должны осуществляться уполномоченными сервисными представителями либо сервисными отделами производителя.

### Технические консультации

За консультацией по техническим вопросам обращайтесь к производителю или в его дочерние структуры.

### Символы и обозначения

В маркировке оборудования используются следующие символы.

Знак	Описание
------	----------



Данный символ на оборудовании означает предупреждение и необходимость свериться с руководством пользователя.

### Сокращения

В документе использованы следующие сокращения.

1. Квалифицированный специалист должен обладать необходимыми техническими знаниями, иметь в своем распоряжении соответствующую документацию, специальное контрольное оборудование и другие средства для выполнения требуемых работ на этом оборудовании.

**Примечание.** Сокращения не изменяются для единственного или множественного числа.

Сокращение	Описание
°C	Градусы по Цельсию
BSP	Британский стандарт трубной резьбы
см	Сантиметры
COSHH	Нормативные правила, связанные с контролем за опасными для здоровья материалами
cСт	Сантостоки
°F	Градусы по Фаренгейту
дюймы рт. ст.	Дюймы ртутного столба
lb	Фунты
ISO	Международная организация по стандартизации
кг	Килограммы
м	Метры
мм	Миллиметры
MSDS	Паспорт безопасности материала
NPT	Национальный стандарт трубной резьбы
PRV	Перепускной клапан давления
psi	Фунт-сила на квадратный дюйм
Тефлон	Политетрафторэтилен
SAE	Общество инженеров автомобильной промышленности
UUT	Проверяемое устройство

## 1. Вступление

Ручной насос PV411A служит для создания пневматического давления и разрежения либо гидравлического давления. Для формирования пневматического давления и разрежения, а также гидравлического давления с целью предварительного заполнения системы рабочим телом во время работы в гидравлическом режиме используются рукоятки рычажного типа.

### 1.1 Пневматический насос (Рисунок A1)

Переключение между давлением и вакуумом на селекторном клапане (7) позволяет продуть систему с выпуском воздуха в атмосферу. Движение рычажных рукояток (5) приводит в действие поршень насоса, создавая давление.

Небольшие изменения давления в системе достигаются при помощи регулятора объема (3).

### 1.2 Гидравлический насос (Рисунок A1)

Переключение между давлением и вакуумом на селекторном клапане (7) дает возможность отвести давление из системы в сообщающийся резервуар (используется при заливке насоса). Требуемое давление в системе создается при помощи регулятора объема (3). Гидравлический контур завершается резервуаром для жидкости (см. Рисунок A2), навинчиваемым на впускной канал (1); обозначается как RESERVOIR в верхней части ручного насоса. Перепускной клапан (8) может быть настроен на давление в диапазоне между 30 и 700 бар (500–10 000 фунтов/кв. дюйм).

## 2. Эксплуатация



**ПРЕДУПРЕЖДЕНИЕ!** Прежде чем подать давление, убедитесь, что все соединения выполнены правильно, а внутренняя полость оборудования чистая и не имеет повреждений.

Убедитесь, что все оборудование имеет правильное номинальное давление. Не разрешается превышать максимальное рабочее давление, указанное в технических характеристиках.

Соблюдайте требования безопасности и охраны здоровья.



**ОСТОРОЖНО!** Если для уплотнения резьбы NPT используется подмоточная лента ПТФЭ, проследите за тем, чтобы использовалось лишь то количество, которое необходимо для герметизации. Из-за излишков ленты ее частички могут отрываться во время выполнения соединения и попадать внутрь насоса, в результате чего возможно ухудшение его рабочих характеристик или появление течи.

**Примечание.** По возможности для уплотнения соединительных разъемов BSP предлагается использовать уплотнительные кольца.

### Пояснения к Рисунку А1

1. Впускной канал (с резервуаром)
2. Выпускной канал
3. Регулятор объема
4. Ограничитель
5. Рукоятки рычажного действия
6. Выпускной канал
7. Селекторный клапан
8. Перепускной клапан давления (см. Рисунок А3)

### 2.1 Конфигурация давления/вакуума (Рисунок А1)

В режиме создания давления воздух/жидкость забирается через впускной канал (1) в верхней части насоса и с силой подается наружу через два выпускных канала (2 и 6).

В режиме разрежения поток воздуха/жидкости проходит по обратному пути, с забором через верхний и задний выпускные каналы (2 и 6) и выходом через впускной канал (1).

### 2.2 Подключение насоса



**ПРЕДУПРЕЖДЕНИЕ!** Поддерживайте гайку канала давления PV411A при осуществлении соединения и разъединения. На Рисунок А4 представлен рекомендуемый способ поддержания гайки канала давления PV411A.

Присоединения к насосу могут осуществляться напрямую или через ряд переходников, которые входят в дополнительный тестовый набор.

#### 2.2.1 Напрямую

Разъемы BSP могут предусматривать наличие соединителей с наружной резьбой 1/4 BSP любой

подходящей длины, где герметизация обеспечивается при помощи либо кольцевого уплотнения внизу разъема, либо резино-металлического кольца сверху. Неиспользуемое отверстие закрывается соответствующей заглушкой.

Разъемы NPT могут предусматривать наличие соединителей с наружной резьбой 1/4 NPT любой подходящей длины. Неиспользуемое отверстие закрывается соответствующей заглушкой. Если для уплотнения резьбы NPT используется подмоточная лента ПТФЭ, проследите за тем, чтобы использовалось лишь то количество, которое необходимо для герметизации. Из-за излишков ленты ее частички могут отрываться во время выполнения соединения и попадать внутрь насоса, в результате чего возможно ухудшение его рабочих характеристик или появление течи.

#### 2.2.2 Поворотные переходники (дополнительно)

Одиночный поворотный переходник 1/4 BSP предназначен для использования с разнообразными неподвижными соединительными деталями. Благодаря имеющейся накатке поворотный переходник закручивается от руки (по часовой стрелке) до полной посадки.

#### 2.2.3 Вертлюжная головка насоса

Головка насоса поворачивается в секторе 140°, позволяя добиться лучшего обзора и удобства, когда насос находится в мастерской. К рычажным рукояткам может быть приложено большее усилие, если положить насос на верстак. Повороту головки насоса на больший угол препятствуют внутренние упоры.

**Примечание.** Не поворачивайте головку насоса слишком сильно.

### 2.3 Селекторный клапан

**Давление.** Поверните селекторный клапан до конца (внутри) по часовой стрелке (рукой).

**Разрежение.** Поверните селекторный клапан до конца (наружу) против часовой стрелки (рукой).

**Выравнивание давления.** Плавное поверните селекторный клапан в центральное положение.



**ИНФОРМАЦИЯ** Старайтесь не поворачивать проверяемый прибор, используя с этой целью регулятор объема для постепенного сброса гидравлического давления.

### 2.4 Ограничитель рычажных рукояток (Рисунок А1)

Поворот ограничителя (4) по часовой стрелке уменьшает длину хода рычажных рукояток (5), поворот против часовой стрелки увеличивает ее.

Максимальное пневматическое давление создается при повороте ограничителя до конца против часовой стрелки.

## 3. Пневматический режим

### 3.1 Регулятор объема

Существуют разные режимы, в которых используется регулятор объема.

#### 3.1.1 Низкое давление

1. Когда селекторный клапан установлен на выравнивание давления (открыто), поверните регулятор объема против часовой стрелки (наружу) до упора.



2. Чтобы перейти в режим давления, поверните селекторный клапан по часовой стрелке (внутри) до упора.
3. Для создания давления поверните регулятор объема по часовой стрелке.

### 3.1.2 Высокое давление

1. Установите регулятор объема в среднее положение. В этом положении возможна плавная настройка создаваемого давления.
2. Создайте примерное давление, пользуясь рычажными рукоятками, затем поверните регулятор объема по часовой стрелке (внутри), чтобы увеличить давление, или против часовой стрелки (наружу), чтобы уменьшить его.

### 3.1.3 Разрежение

1. Поверните селекторный клапан до конца против часовой стрелки (наружу).
2. Установите регулятор объема в среднее положение. В этом положении возможна плавная настройка создаваемого разрежения.
3. Создайте примерное разрежение, пользуясь рычажными рукоятками, затем поверните регулятор объема по часовой стрелке (внутри), чтобы уменьшить разрежение, или против часовой стрелки (наружу), чтобы уменьшить его.

Для слабого разрежения используйте только регулятор объема.

## 3.2 Создание пневматического давления и вакуума (Рисунок А1)

Подсоедините насос, как показано в п. «Подключение насоса» на стр. 50.

**Примечание.** При сжатии газа выделяется тепло. Нагрев или охлаждение газа в замкнутом объеме приводит к изменению давления. Следует обязательно дожидаться, пока нагретый газ не остынет и давление не стабилизируется.

Количество работы, требующееся от насоса для создания давления, зависит от объема системы. Соответственно, необходимо стремиться к тому, чтобы этот объем был минимальным.

### 3.2.1 Давление

1. Поверните селекторный клапан (7) до конца по часовой стрелке (внутри).
2. Действуя рычажными рукоятками (5), создайте приблизительное давление, дождитесь тепловой стабилизации.
3. При необходимости воспользуйтесь регулятором объема (3) для требуемого изменения давления.
4. Добившись необходимого давления, увеличьте его, работая рычажными рукоятками (5). Как вариант, выровняйте давление с атмосферным, плавно повернув (против часовой стрелки) селекторный клапан (7) в центральное положение.
5. Закончив, разгерметизируйте насос и отсоедините трубы и оборудование.

### 3.2.2 Разрежение

1. Поверните селекторный клапан (7) до конца против часовой стрелки (наружу).
2. Действуя рычажными рукоятками (5), создайте приблизительное разрежение, дождитесь тепловой стабилизации.

3. При необходимости воспользуйтесь регулятором объема (3) для требуемого изменения разрежения.
4. Добившись необходимого разрежения, увеличьте его, работая рычажными рукоятками (5). Как вариант, выровняйте давление с атмосферным, плавно повернув (против часовой стрелки) селекторный клапан (7) в центральное положение.
5. Закончив, разгерметизируйте насос и отсоедините трубы и оборудование.

## 4. Гидравлический режим



**ПРЕДУПРЕЖДЕНИЕ!** Соблюдайте правила и требования техники безопасности, указанные в местных нормативных документах.



**ОСТОРОЖНО!** Не смешивайте гидравлические жидкости.

Разрешается использовать только совместимые жидкости, указанные в технических характеристиках.

В герметичных соединениях следует использовать только уплотнения соответствующего типа.

В случае подключения к насосу загрязненного оборудования возможны выход оборудования из строя или причинение иного ущерба. Старайтесь не допускать загрязнения твердыми частицами.

После использования насос считается загрязненным гидравлической жидкостью.

**Примечание.** По возможности для уплотнения соединительных разъемов BSP предлагается использовать уплотнительные кольца.

### Пояснения к Рисунок А2

1. Стопорная гайка крышки резервуара
2. Крышка резервуара
3. Уплотнительное кольцо
4. Выпускное отверстие

### 4.1 Резервуар для жидкости (Рисунок А2)

Основной корпус резервуара изготовлен из прозрачного акрила, что позволяет хорошо видеть его содержимое.

Резервуар может быть снят с насоса без опорожнения благодаря самоуплотняющему соединению, которое предотвратит течь. Подпружиненная крышка резервуара (2) герметично закрывается при атмосферном давлении, безболезненно стравливая излишки давления, которые произвольно возникают внутри.

Резервуар соединен с впускным каналом сверху насоса и служит для питания жидкостью насосной системы при создании давления.

В режиме разрежения (при заливке насоса) поток жидкости разворачивается в обратную сторону; жидкость забирается из двух выпускных каналов и направляется к впускному отверстию и в резервуар.

### 4.2 Подгонка

Проверьте, чтобы во избежание течи на впускном канале было установлено уплотнительное кольцо (3) требуемого типа. Резервуар навинчивается

(по часовой стрелке) на входной канал с обозначением RESERVOIR.

**Примечание.** Для проверки насоса на заводе используется обессоленная вода. При транспортировке в системе остаются небольшие количества обессоленной воды.

### 4.3 Заправка

1. Отвинтите стопорную гайку (1) крышки резервуара и снимите крышку (2).
2. Заполните резервуар примерно на 2/3 чистой жидкостью рекомендованного типа.
3. Поставьте на место крышку резервуара и затяните стопорную гайку (1).
4. Подсоедините необходимые трубы и оборудование к выпускным каналам.

### 4.4 Заливка системы

Существует два способа: вакуумная заливка для удаления воздуха или предварительное заполнение системы.

**Примечание.** Если в системе остался воздух, добиться полного давления не получится из-за сжатия воздуха в жидкости. Следует обязательно удалить воздух из жидкости системы.

В обоих случаях насос должен оставаться в вертикальном положении, чтобы выпускное отверстие (4) закрывалось жидкостью. Не допускайте попадания воздуха в систему через выпускное отверстие (4).

#### 4.4.1 Вакуумная заливка (Рисунок А2)

1. Подсоедините оборудование, как показано в п. «Эксплуатация» на стр. 50.
  2. Воздух может быть удален при помощи вакуумного устройства на насосе.
- Примечание.** Этот способ не должен применяться с оборудованием, чувствительным к разрежению.
3. Полностью выверните селекторный клапан против часовой стрелки (в положение разрежения).
  4. Поверните регулятор объема до конца против часовой стрелки (наружу).
  5. Включите насос, пока в резервуаре не перестанут появляться пузырьки воздуха (при этом в системе образуется область разрежения).
  6. Полностью заверните селекторный клапан (это сбрасывает разрежение и быстро заполняет систему жидкостью из резервуара). Рекомендуется создать небольшое гидравлическое давление, затем стравить его и повторить описанную последовательность операций вакуумной заливки еще раз, чтобы удостовериться, что из системы был удален воздух.

7. Насос и подсоединенное оборудование готовы к работе.

#### 4.4.2 Предварительное заполнение

1. Подсоедините оборудование, как показано в п. «Эксплуатация» на стр. 50.
2. Поверните селекторный клапан до конца по часовой стрелке (внутрь).
3. Ослабьте стопорную гайку (1) крышки резервуара, чтобы приоткрыть крышку (2) и впустить атмосферное давление в верхнюю часть резервуара.
4. Откройте выпускной клапан на проверяемом приборе.

5. Осторожно действуя рычажными рукоятками, заполните систему. Остановите работу насоса, когда жидкость начнет выходить из выпускного клапана.
6. Закройте выпускной клапан на проверяемом приборе.
7. При необходимости долейте чистую жидкость до уровня 2/3 резервуара.
8. Закрепите крышку резервуара, затянув стопорную гайку (1).
9. Насос и подсоединенное оборудование готовы к работе.

### 4.5 Создание гидравлического давления (Рисунок А1)

**Примечание.** При создании давления жидкости выделяется тепло. Нагрев или охлаждение жидкости в замкнутом объеме приводит к изменению давления. Дождитесь тепловой стабилизации.

1. При необходимости настройте перепускной клапан давления.
2. Откройте селекторный клапан (7), повернув его против часовой стрелки на один оборот.
3. Выкрутите до конца регулятор объема (3) (против часовой стрелки).
4. Закройте селекторный клапан (7).
5. Действуя рычажными рукоятками (5), создайте начальное давление.
6. Затем поверните регулятор объема (3), чтобы добиться требуемого давления, дождитесь тепловой стабилизации.
7. Для снижения давления поверните регулятор объема (3) наружу (против часовой стрелки), пока не добьетесь требуемого давления.
8. Закончив, полностью выверните регулятор объема (3) (против часовой стрелки) и поверните селекторный клапан (7), чтобы разгерметизировать насос. Отсоедините трубы и оборудование.

### 4.6 Настройка перепускного клапана давления (Рисунок А3)

Перепускной клапан может быть настроен на давление от 30 до 700 бар (500–10 000 фунтов/кв. дюйм).



**ОСТОРОЖНО!** Не разрешается превышать давление 700 бар (10 000 фунтов/кв. дюйм). Это может повредить внутреннее уплотнение перепускного клапана и PV411A.

Если давление в системе превысит заданное значение, перепускной клапан открывается и пропускает жидкость через выпускной канал в резервуар. Когда давление в системе падает ниже заданного значения, перепускной клапан закрывается.

#### Пояснения к Рисунок А3

1. Стопорный винт перепускного клапана (кол-во: 2)
2. Стопорная гайка перепускного клапана (с левой резьбой)
3. Регулировочная гайка перепускного клапана (с левой резьбой)

#### 4.6.1 Для настройки перепускного клапана

1. Подсоедините подходящий указатель давления к выходному отверстию (Рисунок А1) (2) или (6). Закройте неиспользуемое отверстие заглушкой.

- Увеличивайте давление до срабатывания перепускного клапана.
- Ослабьте два стопорных винта (1) перепускного клапана.
- Ослабьте стопорную гайку (2) перепускного клапана, поворачивая ее по часовой стрелке.
- Установите перепускное давление поворотом регулировочной гайки (3) перепускного клапана.

Чтобы увеличить давление: поворачивайте регулировочную гайку (3) перепускного клапана против часовой стрелки.

Чтобы уменьшить давление: поворачивайте регулировочную гайку (3) перепускного клапана по часовой стрелке.

- После настройки перепускного клапана затяните стопорную гайку (2), удерживая регулировочную гайку (3).

**Примечание.** Стопорная гайка имеет левую резьбу.

- Проверьте работу перепускного клапана. При необходимости сбросьте настройки значения.
- Закрепите стопорную гайку, затянув два стопорных винта (1).

#### 4.7 Поиск неисправностей

Если давление в системе снижается, проверьте следующее.

- Проверьте, чтобы селекторный клапан (Рисунок А1) (7) стоял в правильном положении и был хорошо затянут.
- После появления давления подождите достаточное время до стабилизации температуры. Чем больше объем системы, тем больше времени занимает тепловая стабилизация.
- Проверьте на герметичность переходники, гибкую трубку и соединения между насосом и проверяемым оборудованием. Подтяните ослабшие соединения и замените изношенные или поврежденные уплотнения.
- В гидравлическом режиме: если регулятор объема давления добиться не удается либо если давление создается, но первоначально наблюдается его плавное снижение, это означает, что в системе остался воздух. Не отсоединяя насос или проверяемое устройство, заново выполните заливку вакуумным методом и повторите попытку.
- Проверьте настройку давления на перепускном клапане.

Если по какой-либо причине в насосе возникли неполадки, рекомендуется вернуть насос уполномоченному торговому представителю.

## 5. Общие характеристики



**ИНФОРМАЦИЯ** Гидравлические жидкости должны быть совместимы с нержавеющей сталью, анодированным алюминием, нитриловым каучуком, ПТФЭ, полипропиленом, делрином, акрилом и нейлоном.

Позиция	Характеристика
Диапазон давления сжатого воздуха	От 0 до 60 бар (от 0 до 600 фунтов/кв. дюйм)
Диапазон вакуумметрического давления	От 0 до 0,95 бара <sup>a</sup> (от 0 до 28,5 дюйма рт. ст.) <sup>a</sup>
Диапазон гидравлического давления	От 0 до 700 бар (от 0 до 10 000 фунтов на кв. дюйм)
Максимально допустимое рабочее давление	700 бар (10 000 фунтов/кв. дюйм)
Соединения под давлением	Внутренняя цилиндрическая резьба 1/2" BSP (цилиндрическая 1/2" NPT в США)
Максимальная вязкость гидравлической жидкости	150 сСт при 40 °C (104 °F)
Рекомендуемые гидравлические жидкости	Обессоленная вода или минеральные масла (SAE 40W, класс вязкости ISO — 150)
Размеры (длина x ширина x глубина)	260 x 150 x 100 мм (10,2 x 5,3 x 3,7")
Масса (прибл.)	1,2 кг (2,5 фунта)

a. Данное значение предполагает атмосферное давление 1 бар (14,5 фунтов на кв. дюйм) и меняется в зависимости от атмосферного давления.

## 6. Порядок возврата товара

Если инструмент требует калибровки или непригодно для использования, отправьте его в один из ближайших сервисных центров Druck, перечисленных здесь: <https://druck.com/service>.

Обратитесь в отдел обслуживания для получения разрешения на возврат товара/материала (RGA или RMA). Для разрешения на возврат товара (RGA) или RMA сообщите следующую информацию.

- Изделие (например, PV411A).
- Серийный номер.
- Описание дефекта/требующихся работ.
- Требования по отслеживанию калибровки.
- Рабочее состояние.

### 6.1 Меры предосторожности



**ИНФОРМАЦИЯ** Обслуживание в местах, не имеющих соответствующих полномочий, может повлечь за собой действительность гарантии и не всегда обеспечит работоспособность изделия в дальнейшем.

Если изделие подверглось воздействию опасного или токсичного вещества, об этом следует обязательно сообщить компании Druck.

Соответствующие документы контроля за веществами, опасными для здоровья, или, в США, Паспорт безопасности химической продукции, справочные материалы и предостережения должны получаться при погрузке.

## **6.2 Уполномоченные агенты по обслуживанию**

Список сервисных центров: <https://druck.com/service>.

## 简介

本手册提供 PV411A 气动 / 液压手压泵 (ADTS) 的操作说明, 与生产线操作要求兼容。PV411A 取代了 PV411。

## 安全性

按照本手册中详细说明的程序操作时, 可确保制造商设计的本设备的安全性。用户不得将本设备用于其他任何未指定的用途。仅限使用规格中所述的液压力。

本手册中包含操作与安全说明, 必须严格遵守以确保安全运行以及使设备保持安全状况。安全说明是发布的警告或注意事项, 用于保护用户和设备, 防止受伤或损坏。

使用 PV411A 之前, 用户必须进行检查, 确保两个塑料部件之间没有间隙, 也没有其它活动部件。如果发现间隙或活动部件, 请勿使用, 并与当地的服务中心联系。详情请见第 58 页的第 6.2 节。

由具备相应资质的技术人员<sup>1</sup>使用良好的工程规范来执行本手册中所述的所有程序。

### 压力

施加的压力不得超过规格中指定的最大安全工作压力。

### 维护


必须按照本手册中的程序维护设备。对于制造商的更多程序, 应当由授权的服务代理或者制造商的服务部门执行。

### 技术建议

欲获得技术建议, 请与制造商或子公司联系。

### 符号

本设备上标记有以下符号:

符号	描述
	设备上的此符号表示警告, 用户应参考用户手册。

### 缩略语

本出版物中使用以下缩略语

注: 缩略语的单数和复数形式的含义是相同的。

缩略语	描述
°C	摄氏度
BSP	英国标准管螺纹
cm	厘米
COSHH	危害健康物质控制规定
cSt	厘池
°F	华氏度
inHg	英寸汞柱
lb	磅
ISO	国际标准组织
kg	千克
m	米
mm	毫米

1. 具备相应资质的技术人员必须拥有对本设备进行要求的作业所需的技术知识、文档资料、专用测试设备和工具。

缩略语	描述
MSDS	材料安全数据表
NPT	美国管螺纹
PRV	压力安全阀
psi	磅 / 每平方英寸
PTFE	聚四氟乙烯
SAE	美国汽车工程师协会
UUT	待测仪器

## 1. 简介

PV411A 手压泵可产生气压和真空或液压。其剪式动作手柄可生成气动压力和真空, 在液压模式下, 可生成用于系统填充的液压力。

### 1.1 气动泵 (图 A1)

选择阀 (7) 能够将系统压力排放到大气中, 可在压力和真空模式之间进行选择。操作剪式动作手柄 (5) 可通过泵送生成压力。

容量调整器 (3) 可小幅调整系统压力。

### 1.2 液压泵 (图 A1)

选择阀 (7) 能够将系统压力排放到储液槽中, 可在压力和真空模式之间进行选择 (在填充过程中使用)。容量调整器 (3) 可生成所需的系统压力。储液槽 (参见图 A2), 拧到手压泵顶部标记有 RESERVOIR 的入口 (1), 完成液压回路。可调整压力安全阀 (8) 以将压力设定在 30 和 700 bar (500 至 10,000 psi) 之间。

## 2. 操作



**警告** 在加压之前, 确保所有连接正确, 设备内部已清洁干净, 且没有损坏。

确保所有设备都已连接到正确的额定压力。

请勿超过规格中指定的最大工作压力。

遵守相关健康与安全预防措施。



**小心** 如果使用 PTFE 胶带来密封 NPT 螺纹, 则确保数量仅够实现压力密封即可。如果使用了过多胶带, 微粒会在连接器配对过程中松动并进入泵, 可能会导致泵性能降低或压力泄漏。

注: 可能时, 在 BSP 连接端口中使用 o 形圈密封件, 这是建议的密封方法。

### 图 A1 中的标记

1. 入 (储液槽) 口
2. 出口
3. 容积调节器
4. 限制调节器
5. 剪式动作手柄
6. 出口
7. 选择阀
8. 压力安全阀 (参见图 A3)

## 2.1 压力 / 真空配置 (图 A1)

在压力模式下, 空气 / 液体流入泵顶部的入口 (1) 并通过两个出口 (2 和 6) 排出。

在真空模式下, 空气 / 液体流刚好相反, 空气 / 液体流入顶部和后部的出口 (2 和 6) 然后通过入口 (1) 排出。

## 2.2 连接泵



**警告** 进行连接或去掉连接时, 应支撑住 PV411A 压力端口螺母。图 A4 例示 PV411A 压力端口螺母的建议支撑方法。

可直接连接泵或通过可选测试套件提供的各种适配器连接。

### 2.2.1 直接连接

BSP 端口可连接任何适用长度的 1/4 BSP 外插头, 端口底部采用 O 形圈密封或在顶部采用粘合密封。在不使用的端口安装合适的堵塞器。

NPT 端口可连接任何适用长度的 1/4 NPT 外插头。在不使用的端口安装合适的堵塞器。如果使用 PTFE 胶带来密封 NPT 螺纹, 则确保数量仅足够实现压力密封即可。如果使用了过多胶带, 微粒会在连接器配对过程中松动并进入泵, 可能会导致泵性能降低或压力泄漏。

### 2.2.2 旋转接头 (可选)

单向、1/4 BSP 旋转接头可连接各种类型的固定适配器。使用滚花手柄手动拧紧 (顺时针) 旋转接头直至完全插入。

### 2.2.3 旋转泵头

泵头可旋转 140° 以提供最佳视角和台面操作。将泵放在工作台上, 可对剪式动作手柄施加更大的力。内部止动装置可防止泵头进一步旋转。

**注:** 切勿在旋转泵头时用力过大。

## 2.3 选择阀

压力: 沿顺时针方向向里旋转选择阀, 将其拧到底 (用手拧紧)。

真空: 沿顺时针方向向外旋转选择阀, 将其拧到底 (用手拧紧)。

通风: 慢慢地旋转选择阀至中心位置。



**信息** 使用容积调节器缓慢释放液压, 避免损坏待测仪器。

## 2.4 剪式动作手柄限制调节器 (图 A1)

沿着顺时针方向旋转限制调节器 (4) 可减小剪式动作手柄 (5) 的行程, 沿着逆时针方向旋转限制调节器 (4) 可增加行程。

为生成最大启动压力, 可沿着逆时针方向将限制调节器旋转到底。

## 3. 气动操作

### 3.1 容量调整器

可在不同模式下使用容量调整器:

#### 3.1.1 低压

1. 在将选择阀设为通风 (开启) 的情况下, 沿着逆时针方向 (向外) 旋转容量调整器到底。
2. 沿着顺时针方向 (向里) 旋转选择阀到底以选择压力。
3. 沿着顺时针方向旋转容量调整器以生成压力。

#### 3.1.2 高压

1. 将容量调整器旋转到中间位置。在该位置可对生成的压力进行精细调整。
2. 使用剪式动作手柄生成近似的压力; 然后沿着顺时针方向 (向里) 旋转容量调整器以增加压力, 或沿着逆时针方向 (向外) 旋转容量调整器以降低压力。

#### 3.1.3 真空

1. 沿着逆时针方向 (向外) 旋转选择阀到底。
2. 将容量调整器旋转到中间位置。在该位置可对形成的真空进行精细调整。
3. 使用剪式动作手柄生成近似的真空; 然后沿着顺时针方向 (向里) 旋转容量调整器以降低真空度, 或沿着逆时针方向 (向外) 旋转容量调整器以增加真空度。

对于低真空度, 仅限使用容量调整器。

## 3.2 生成气动压力和真空 (图 A1)

按第 56 页的“连接泵”所示连接泵。

**注:** 压缩气体会产生热量。在一个密闭的容器内加热或冷却气体会导致压力发生变化。必须留出足够的时间, 以便加热过的气体冷却和压力保持稳定。

生成压力所需的泵送取决于系统的容量。因此, 要保持最小的系统容量。

#### 3.2.1 压力

1. 沿着顺时针方向 (向里) 旋转选择阀到底。
2. 操作剪式动作手柄 (5) 以生成近似的压力, 留出时间等待热量稳定。
3. 如有必要, 可使用容量调整器 (3) 调节所需的压力。
4. 达到所需的压力后, 操作剪式动作手柄 (5) 以生成更高的压力。或者, 慢慢旋转 (逆时针) 选择阀 (7) 至中心位置, 以将压力排到空气中。
5. 完成操作后, 释放泵压并断开其与管道和设备的连接。

#### 3.2.2 真空

1. 沿着逆时针方向 (向外) 旋转选择阀 (7) 到底。
2. 操作剪式动作手柄 (5) 以形成近似的真空, 留出时间等待热量稳定。
3. 如有必要, 可使用容量调整器 (3) 调节所需的真空。
4. 达到所需的真空后, 操作剪式动作手柄 (5) 以形成更高的真空。或者, 慢慢旋转 (逆时针) 选择阀 (7) 至中心位置以让空气进入真空。
5. 完成操作后, 释放泵压并断开其与管道和设备的连接。

## 4. 液压操作



**警告** 遵守当地规定中列出的所有安全措施和规程。



**小心** 切勿混合液压流体。

仅限使用规格中所述的兼容流体。

仅在压力接头上安装合适的密封件。

如果与该泵连接的设备受到污染，则会造成严重损坏。避免微粒污染。

使用后，应考虑泵可能受到液压液的污染。

注：尽可能在 BSP 连接端口中使用 O 形圈密封件，这是建议的密封方法。

### 图 A2 中的标记

1. 储液槽盖锁定螺母
2. 储液槽盖
3. O 形圈
4. 排气孔

### 4.1 储液槽（图 A2）

储液槽罐体采用的是透明的丙烯酸，可清楚地查看内容物。

可将储液槽从泵中取出，无需清空流体，自密封接头可防止泄漏。在空气压力条件下弹簧式储液槽盖 (2) 保持密闭，但在无意加压的情况下排出多余的内部压力不会造成任何损失。

储液槽可连接泵顶部的入口并向泵供应流体以形成压力。

在真空模式下，在填充时，流体是反向流动的，流体从两个出口流进并流向入口和储液槽。

### 4.2 安装

确保在入口安装正确的 O 形密封圈 (3) 以防止泄漏。将储液槽（顺时针）拧入标记有 RESERVOIR 的入口。

注：软化水用于测试制造过程中的泵。发货时，系统中存在软化水的痕迹。

### 4.3 填充

1. 拧松储液槽盖锁定螺母 (1) 并拆下储液槽盖 (2)。
2. 使用干净的推荐液体填充储液槽大概 2/3 满即可。
3. 重新安装储液槽盖并再次拧紧储液槽盖锁定螺母 (1)。
4. 将所需的管道和设备连接到出口。

### 4.4 填充系统

有两种填充方法：真空填充以抽气或预先填充系统。

注：如果系统内仍残留空气，则无法达到全压，因为压缩的流体内含空气。必须除去系统流体中的空气。

两种填充方法都需要垂直安装泵以保持储液槽排气孔 (4) 有流体流动。切勿让空气通过此排气孔 (4) 进入系统。

#### 4.4.1 真空填充（图 A2）

1. 按第 55 页的“操作”所示连接设备。
2. 可使用泵上的真空设备除去空气。

注：此方法不得与真空敏感设备配合使用。

3. 沿着逆时针（真空）方向旋转选择阀，将其拧到底。
4. 沿顺时针方向（向外）旋转容量调整器阀，将其拧到底。
5. 一直泵送直至储液槽内不再出现气泡（这会在系统内形成真空）。
6. 向里旋转选择阀，将其拧到底（此操作可释放真空并快速地将储液槽内的流体注入系统）。建议生成较小的液压，然后释放此压力并重复真空填充顺序一次以上，检查是否已除去系统内的所有空气。
7. 泵和连接的系统准备就绪。

#### 4.4.2 预先填充

1. 按第 55 页的“操作”所示连接设备。
2. 沿顺时针方向（向里）旋转选择阀，将其拧到底。
3. 拧松储液槽盖锁定螺母 (1) 以打开储液槽盖 (2)，然后让空气压力进入储液槽顶部。
4. 打开待测仪器上的排气阀。
5. 小心操作剪式动作手柄以填充系统。当流体从排气阀中流出时停止泵送。
6. 关闭待测仪器上的排气阀。
7. 必要时，向储液槽内补充干净的流体至 2/3 液位。
8. 拧紧储液槽盖锁定螺母 (1) 安装好储液槽盖。
9. 泵和连接的系统准备就绪。

### 4.5 生成液压（图 A1）

注：加压流体会产生热量。在一个密闭的容器内加热或冷却流体会导致压力发生变化。留出足够的时间等待温度稳定。

1. 必要时，可按照以下章节设置 PRV。
2. 打开选择阀 (7)（逆时针旋转 1 圈）。
3. 逆时针完全拧紧容量调整器 (3)。
4. 关闭选择阀 (7)。
5. 使用剪式动作手柄 (5) 生成初始压力。
6. 然后沿着顺时针方向旋转容量调整器 (3) 以生成所需的压力，留出时间等待热稳定。
7. 欲想减小压力，可向外（逆时针）旋转容量调整器 (3) 以获得所需压力。
8. 完成操作后，可向外（逆时针）旋转容量调整器 (3) 到底并旋转选择阀 (7) 以释放泵压。断开与管道和设备的连接。

### 4.6 设定压力安全阀（图 A3）

可设定压力安全阀 (PRV) 将压力设为 30 至 700 bar (500 至 10,000 psi)。



**小心** 切勿超过 700 bar (10,000 psi)。这可能会损坏 PRV 和 PV411A 的内部密封件

如果系统压力超过设定压力，则 PRV 将打开且流体从入口流向储液槽。当系统压力低于设定压力时，PRV 关闭。

### 图 A3 中的标记

1. PRV 锁定螺钉 (2 个)
2. PRV 锁定螺母 (带左螺纹)
3. PRV 调节螺母 (带左螺纹)

#### 4.6.1 设定 PRV:

1. 在出口 (图 A1) (2) 或 (6) 连接一个合适的压力指示仪。在未使用的端口安装堵塞器。
2. 增加压力直至安全阀运行。
3. 松动两个 PRV 锁定螺钉 (1)。
4. 沿着顺时针方向旋转松动 PRV 锁定螺母 (2)。
5. 旋转 PRV 调节螺母 (3) 设定安全压力。  
增加压力: 沿着逆时针方向旋转 PRV 调节螺母 (3)。  
减小压力: 沿着顺时针方向旋转 PRV 调节螺母 (3)。
6. 设定 PRV 后, 保持调节螺母 (3) 固定不动并拧紧锁定螺母 (2)。  
**注:** 锁定螺母带有左螺纹。
7. 检查 PRV 的工作情况。必要时可重新设定 PRV。
8. 拧紧两个锁定螺钉 (1) 以固定锁定螺母。

#### 4.7 故障排查

如果系统压力降低, 请检查以下方面:

1. 检查选择阀 (图 A1) (7) 是否处于正确位置且适当拧紧。
2. 压力形成后是否留出足够的时间等待温度稳定。系统容量越大, 温度稳定所需时间越长。
3. 检查适配器、泵和待测设备之间的软管和接头是否泄漏。拧紧任何松动的连接件, 更换磨损或损坏的所有密封件。
4. 在液压模式下, 如果容量调整器可完全卷入但未达到最大压力, 或者如果可以达到最大压力但出现初始的缓慢减压现象, 那么可能是系统内滞留空气。在断开与泵或 DUT 连接的情况下, 使用真空填充方法重新填充并重复该过程。
5. 检查 PRV 压力设定。

如果因任何原因, 泵内出现故障, 建议将设备送回指定代理处。

## 5. 一般规格



**信息** 液液必须与不锈钢、阳极电镀锌、丁腈橡胶、PTFE、聚丙烯、聚甲基硅树脂、聚丙烯和尼龙兼容。

项目	规格
气动压力范围	0 到 60 bar (0 到 600 psi)
真空压力范围	0 至 -0.95 bar <sup>a</sup> (0 至 28.5 inHg) <sup>a</sup>
液压压力范围	0 到 700 bar (0 到 10,000 psi)
最大安全工作压力	700 bar (10,000 psi)
压力接头	1/4" BSP 井口母接头 (在美国为 1/4" NPT 母接头)
最大液液粘度	40°C (104°F) 时为 150 cSt
推荐液液	软化水或矿物油 (SAE 40W, ISO 粘度等级 150)
尺寸 (长 x 宽 x 深)	260 mm (10.2") x 150 mm (5.3") x 100 mm (3.7")
重量 (大约)	1.2 kg (2.5 lb)

a. 此值假定大气压为 1 bar (14.5 psi), 并因大气压不同而异。

## 6. 退货程序

如果设备需要校准或者无法使用, 请将其退还给下方所列距离您最近的 Druck 服务中心:

<https://druck.com/service>.

与服务部门联系以获取退货 / 退料授权码 (RGA 或 RMA)。提供以下信息以获取 RGA 或 RMA:

- 产品 (例如 PV411A)
- 序列号。
- 缺陷 / 要执行的工作的详细信息。
- 校准可追溯性要求。
- 工作条件。

### 6.1 安全预防措施



**信息** 由未授权人员维护将会影响保修, 且可能无法保证进一步的性能。

如果产品接触过任何危险或有毒物质, 请务必通知 Druck。操作时, 请参阅相关《有害物质使用管理规定》(COSHH) (美国为《化学品安全数据说明书》(MSDS)) 并采取预防措施。

### 6.2 授权服务代理商

有关服务中心的列表, 请访问:

<https://druck.com/service>.



## はじめに

本書には、ラインオペレーションの要件に対応した PV411A 空圧 / 液圧ハンドポンプの操作説明を記載しています。PV411A は、PV411 の後継モデルです。

## 安全

本機は、本書記載の手順どおりに操作すると安全に動作するように設計されています。記載されている以外の目的で使用しないでください。本書で推奨されている作動液のみを使用してください。

本書には、操作および安全に関する注意事項が記載されています。機器の安全な操作と状態を維持するために必ず従ってください。安全に関する注意事項は警告または注意であり、ユーザーの負傷または本機の損傷を防ぐために記載されています。

ユーザーは PV411A を使用する前に、機器のプラスチック部の間に目に見える隙間や遊びがないことを確認する必要があります。隙間や遊びが確認される場合は、使用せずにサービスセンターにお問い合わせください。詳細については、セクション 6.2 (63 ページ) を参照してください。

本書記載のすべての手順は、有資格者<sup>1</sup>の優れた技術でのみ行ってください。

## 圧力

仕様に記載されている最大安全作動圧力を超えた圧力がかけないでください。

## 保守


本機は、本書記載の手順で保守する必要があります。作業は製造元が指示する手順で行う必要があります。認定サービス代理店または製造元のサービス部門にて実施してください。

## 技術的なお問い合わせ

技術的なお問い合わせについては、製造元または関連会社までご連絡ください。

## 記号

本機には以下の記号が使用されています。

記号	説明
	本装置に付されたこの記号は、警告を示すとともに、ユーザーマニュアルを参照することが必須であることを示しています。

## 省略形

本書では以下の略語を使用しております。

注記：略語は単数形でも複数形でも同じです。

省略形	説明
°C	摂氏温度
BSP	BSP (英国管用) ねじ
cm	センチメートル
COSHH	健康規制に違反する物質の管理
cSt	センチストーク
°F	華氏温度
inHg	水銀柱インチ
lb	ポンド
ISO	国際標準化機構
kg	キログラム
m	メートル
mm	ミリメートル
MSDS	製品安全データシート
NPT	米国管用ねじ
PRV	圧力開放バルブ
psi	1平方インチあたりのポンド
PTFE	ポリテトラフルオロエチレン
SAE	米国自動車技術会
UUT	試験対象ユニット

## 1. はじめに

PV411A ハンドポンプは空気圧と真空または油圧を発生させます。ハンドルをはさみのように操作するだけで空圧および真空を発生させ、また油圧モードでは、システムプライミング用の油圧を発生させることができます。

### 1.1 空圧ポンプ (図 A1)

セレクトバルブ (7) は、圧力と真空を選択している間に装置を大気開放します。はさみのように扱えるハンドル (5) を操作することにより、ポンプのような動作で圧力が生成されます。

ボリュームアジャスタ (3) により、システム圧力に関する細かい調整を行うことができます。

### 1.2 油圧ポンプ (図 A1)

セレクトバルブ (7) は、(プライミングプロセスで利用する) 圧力と真空を選択している間に装置をリザーバに放出します。ボリュームアジャスタ (3) により、必要なシステム圧力が生成されます。吸入ポート (1) にネジ止めされ、ハンドポンプ上部に「RESERVOIR」とマーキングされている流体リザーバ (図 A2 参照) が油圧回路を完全なものにしています。圧力開放バルブ (8) を調整して、30 ~ 700 bar (500 ~ 10,000 psi) の間に圧力を設定することができます。

1. 有資格者は、本機に必要な作業を行うために技術的知識、ドキュメント、特殊試験機器、ツールを所持している必要があります。

## 2. 操作



**警告** 圧力を印加する前に、すべての接続が正確であること、そして装置の内部が清潔で損傷がないことを確認してください。

すべての装置が正確な圧力定格に設定されていることを確認してください。

仕様書に明記された最大作動圧力を超えないようにしてください。

該当する健康および安全のための注意事項を遵守してください。



**注意** PTFE テープで NPT ねじを密閉する場合は、過度なテープの使用は避けてください。テープを余分に使用すると、コネクタの接合中に粒子が舞ってポンプに入り、ポンプの性能や圧力漏れが発生するおそれがあります。

**注記**：可能であれば、BSP 接続ポートでは O リングシールを使用することをお勧めします。

### 図 A1 の説明

1. 吸入 (リザーバ) ポート
2. 排出ポート
3. ボリュームアジャスタ
4. リミットアジャスタ
5. シザーアクションハンドル
6. 排出ポート
7. セレクタバルブ
8. 圧力開放バルブ (図 A3 参照)

### 2.1 圧力 / 真空構成 (図 A1)

圧力モードでは、空気 / 流体はポンプ上部の吸入ポート (1) から吸い込まれ、2 つの排出ポート (2 および 6) から排出されます。

真空モードでは、空気 / 流体流れは逆になり、上部および背部排出ポート (2 および 6) から吸い込まれ、吸入ポート (1) から排出されます。

### 2.2 ポンプの接続



**警告** 接続を行う、または接続を外す場合は、PV411A 圧力ポートのナットを保持します。PV411A 圧力ポートのナットの推奨される保持方法については図 A4 を参照。

ポンプは直接接続するか、あるいはオプションのテストキットに含まれるアダプタを使って接続することができます。

#### 2.2.1 直接接続

BSP ポートには、適切な長さの 1/4 BSP オス型コネクタを取り付けることができます。ポートの底にある O リングまたは上部の接着シールで密閉します。未使用のポートに適切なブランキングポートを取り付けてください。

NPT ポートには、適切な長さの 1/4 NPT オス型コネクタを取り付けることができます。未使用のポートに適切なブランキングポートを取り付けてください。PTFE テープで NPT ねじを密閉する場合は、過度なテープの使用は避けてください。テープを余分に使用すると、コネクタの接合中に粒子が舞ってポンプに入り、ポンプの性能や圧力漏れが発生するおそれがあります。

#### 2.2.2 スイブルアダプタ (オプション)

単一の 1/4 BSP スイブルアダプタでは一連の固定アダプタを接続することができます。刻み付きのグリップ機能を使用して、スイベルアダプタが完全に挿入されるまで (時計回り) に手で締めてください。

#### 2.2.3 スイベルポンプヘッド

ポンプヘッドは 140° 回転し、最適な視野角およびベンチトップ操作を実現しています。ベンチトップにポンプを配置することによりシザーアクションハンドルで大きな力を加えることができます。内部ストップにより、ポンプヘッドの過剰な回転が抑えられます。

**注記**：ポンプヘッドを回転させる際、力を加え過ぎないようにしてください。

## 2.3 セレクタバルブ

圧力：セレクタバルブを時計回り (内回り) に最後まで回してください (手で締められる程度のきつさで)。

真空度：セレクタバルブを反時計回り (外回り) に最後まで回してください (手で締められる程度のきつさで)。

ペント：セレクタバルブを中央の位置までゆっくりと回してください。



**情報** ボリュームアジャスタを使用して、ゆっくりと油圧を開放することにより被試験装置の破損を防いでください。

## 2.4 シザーアクションハンドルリミットアジャスタ (図 A1)

リミットアジャスタ (4) を時計回りに回すことにより、シザーアクションハンドル (5) のストロークを減らし、リミットアジャスタ (4) を反時計回りに回すとストロークが増加します。

最大の空気圧を生成させる場合は、リミットアジャスタを反時計回りに最後まで回してください。

## 3. 空気圧操作

### 3.1 ボリュームアジャスタ

ボリュームアジャスタは様々なモードで使用することができます。

#### 3.1.1 低圧力

1. セレクタバルブがペント (オープン) になっている状態で、ボリュームアジャスタを反時計回り (外回り) に最後まで回してください。
2. セレクタバルブを時計回り (内回り) に最後まで回して圧力を選択してください。

3. ボリュームアジャスタを時計回りに回して圧力を生成します。

### 3.1.2 高圧

1. ボリュームアジャスタを中央位置まで回します。この位置に合わせることで、生成された圧力の微調整を行うことができます。
2. シザーアクションハンドルを使用して、概略圧力を生成した後、ボリュームアジャスタを時計回り（内回り）に回して圧力を上げるか、あるいは反時計回り（外回り）に回して圧力を下げます。

### 3.1.3 真空

1. セレクタバルブを反時計回り（外回り）に最後まで回してください。
2. ボリュームアジャスタを中央位置まで回します。この位置に合わせることで、生成された真空の微調整を行うことができます。
3. シザーアクションハンドルを使用して、概略真空を生成した後、ボリュームアジャスタを時計回り（内回り）に回して真空を上げるか、あるいは反時計回り（外回り）に回して真空を下げます。

低真空の場合はボリュームアジャスタのみを使用します。

## 3.2 空気圧および真空の生成 (図 A1)

「ポンプの接続」(60 ページ)に明記されている手順でポンプを接続してください。

**注記:** 気体を圧縮することにより、熱が発生します。密閉された容積で熱された、あるいは冷却された気体は圧力変化を引き起こします。熱された気体が冷め、圧力が安定するまで待つようにしてください。

圧力を生成するために必要となるポンプ作用はシステムの容積によって変わります。したがって、システム容積は最小限に抑えてください。

### 3.2.1 圧力

1. セレクタバルブ (7) を時計回り（内回り）に最後まで回してください。
2. シザーアクションハンドル (5) を操作して概算圧力を生成し、熱平衡が得られるまで待機してください。
3. 必要に応じて、ボリュームアジャスタ (3) を使用して必要な圧力を調整してください。
4. 必要な圧力が得られたら、シザーアクションハンドル (5) を操作して、より大きな圧力を生成します。あるいは、セレクタバルブ (7) を中央位置までゆっくり（反時計方向に）回転させ、圧力を大気に開放してください。
5. 操作が完了したら、ポンプを減圧させ、パイプや装置から取り外します。

### 3.2.2 真空

1. セレクタバルブ (7) を反時計回り（外回り）に最後まで回してください。

2. シザーアクションハンドル (5) を操作して概算真空を生成し、熱平衡が得られるまで待機してください。
3. 必要に応じて、ボリュームアジャスタ (3) を使用して必要な真空を調整してください。
4. 必要な真空が得られたら、シザーアクションハンドル (5) を操作して、より大きな真空を生成します。あるいは、セレクタバルブ (7) を中央位置までゆっくり（反時計方向に）回転させ、真空を大気に開放してください。
5. 操作が完了したら、ポンプを減圧させ、パイプや装置から取り外します。

## 4. 液圧操作



**警告** 現地の法令で定められているすべての安全のための注意事項および手順を遵守してください。



**注意** 異なる作動液を混合して使用しないでください。

仕様に基づいて適合する作動液のみを使用してください。

圧力接続には適切なシールのみを装着してください。

本ポンプに接続される装置が汚染されている場合は、重大な損傷の危険があります。微粒子の汚染を避けてください。

使用後は、ポンプは作動液で汚れています。

**注記:** 可能であれば、BSP 接続ポートでは O リングシールを使用することをお勧めします。

### 図 A2 の説明

1. リザーバカバーロックナット
2. リザーバカバー
3. O リング
4. 抽気穴

### 4.1 流体リザーバ (図 A2)

リザーバ本体は透明アクリルで、内容物を鮮明に見ることができます。

セルシール接続により漏れが防がれるため、流体を空にする必要なくリザーバをポンプから取り外すことができます。スプリング式リザーバカバー (2) は大気圧条件以下では密閉しますが、過失で加圧された場合、害を加えることなく過剰な内部圧力を除去します。

リザーバはポンプ上部の吸入ポートに接続し、圧力生成のためにポンプシステムに作動液を供給します。

プライミングで使用される真空モードでは、流体流れは逆になり、2 つの排出ポートから吸い込まれ、吸入ポートから排出されます。

### 4.2 接続

漏れを防ぐために、正しい O リングシール (3) を吸入ポートに装着してください。リザーバは、「RESERVOIR」

とマーキングされた吸入ポートに（時計回しで）ねじ止めします。

**注記：**製造時のポンプテストには脱塩水を使用しています。よって、出荷時にはシステムに脱塩水の跡が残っています。

#### 4.3 充填

1. リザーバカバー・ロックナット (1) を外し、リザーバカバー (2) を取り外してください。
2. 次に、きれいな、推奨作動液をリザーバの約 2/3 まで入れてください。
3. リザーバカバーを取り付け直し、リザーバカバー・ロックナット (1) をねじ止めしてください。
4. 必要なパイプや装置を排出ポートに接続してください。

#### 4.4 システムのプライミング

以下の 2 つの方法があります：空気を抽出するための真空プライミングおよび、システムの事前充填。

**注記：**空気がシステム内に残っていると、作動液に含まれる空気が圧縮され、完全な圧力を得ることができません。よって、システム作動液から完全に空気を除去する必要があります。

いずれのプライミング方法も、作動液内のリザーバ抽気穴 (4) を確保するためにポンプを垂直に保持する必要があります。この抽気穴 (4) からシステムに空気が流入しないようにしてください。

##### 4.4.1 真空プライミング (図 A2)

1. 「操作」(60 ページ) に明記されている手順で装置を接続してください。
2. ポンプの真空機能を使って空気を除去することができます。  
**注記：**この方法は真空中に敏感な装置では使用しないでください。
3. セレクタバルブを反時計回り、つまり外回り（真空位置）に最後まで回してください。
4. ポリウムアジャスタを反時計回り（外回り）に最後まで回してください。
5. リザーバに泡が出なくなるまでポンプを動作してください（これによりシステム内部に真空が生成されます）。
6. セレクタバルブを内側に回します（これにより真空が開放され、システムにリザーバの作動液が急速に流入していきます）。システム内の空気が除去されていることを確認するために、小さな油圧を発生させて解放する真空プライミング手順を 3 回以上繰り返すことをお勧めします。
7. これにより、ポンプと接続したシステムを使用する準備は完了です。

##### 4.4.2 事前充填

1. 「操作」(60 ページ) に明記されている手順で装置を接続してください。

2. セレクタバルブを時計回り（内回り）に最後まで回してください。
3. リザーバカバー・ロックナット (1) を緩めて、リザーバカバー (2) を開き、大気圧をリザーバ上部に送り込みます。
4. UUT の抽気弁を開きます。
5. シザーアクションハンドルを慎重に操作してシステムを充填させます。抽気弁から作動液が出てきたらポンプ動作を停止します。
6. UUT の抽気弁を閉じます。
7. 必要に応じて、リザーバの 2/3 の容量まできれいな作動液を継ぎ足してください。
8. リザーバカバー・ロックナット (1) を締めて、リザーバカバーを固定してください。
9. これにより、ポンプと接続したシステムを使用する準備は完了です。

#### 4.5 油圧の生成 (図 A1)

**注記：**流体を圧縮することにより、熱が発生します。密閉された容積で熱された、あるいは冷却された流体は圧力変化を引き起こします。熱平衡が得られるまで待つようにしてください。

1. 必要に応じて、次のセクションに従い PRV を設定してください。
2. セレクタバルブ (7) を反時計回りに 1 回転させて開きます。
3. ポリウムアジャスタ (3) を外回り（反時計回り方向）に最後まで回します。
4. セレクタバルブ (7) を閉じます。
5. シザーアクションハンドル (5) を使って、初期圧力を生成します。
6. 次に、ポリウムアジャスタ (3) を時計回りに回して必要な圧力を生成し、熱効果が得られるまで待つようにしてください。
7. 減圧する場合は、必要な圧力になるまでポリウムアジャスタ (3) を外回り（反時計回り方向）に回します。
8. 完了したら、ポリウムアジャスタ (3) を外回り（反時計回り方向）に最後まで回し、セレクタバルブ (7) を回してポンプを減圧させます。パイプや装置から取り外します。

#### 4.6 圧力開放バルブの設定 (図 A3)

圧力開放バルブ (PRV) は、30 ~ 700 bar (500 ~ 10,000 psi) に設定することができます。



**注意** 700 bar (10,000 psi) を超えないようにしてください。PRV および PV411A の内部シールが損傷を受ける可能性があります。

システムの圧力が設定した圧力を超えた場合、PRV が開き、吸入ポートからリザーバに作動液を開放します。シ

ステム圧力が設定した圧力より低下した場合は、PRVは閉じます。

#### 図 A3 の説明

1. PRV 止めねじ (2本)
2. PRV 止めナット (左ねじ)
3. PRV 調整ナット (左ねじ)

#### 4.6.1 PRV の設定方法：

1. 適切な圧力計を排出ポート ( 図 A1 ) (2) または (6) に接続します。使用しないポートにはブランクを取り付けます。
2. 開放バルブが作動するまで圧力を上昇させます。
3. 2本のPRV止めネジ(1)を緩めます。
4. 時計回りに回してPRV止めナット(2)を緩めます。
5. PRV調整ナット(3)を回して開放圧を設定します。  
加圧する場合：PRV調整ナット(3)を反時計回りに回します。  
減圧する場合：PRV調整ナット(3)を時計回りに回します。
6. PRVをセットし終わったら、調整ナット(3)の位置を固定し、止めナット(2)を締めます。  
**注記：**止めナットには左ねじが付いています。
7. PRVの動作を確認してください。必要に応じてPRVをリセットしてください。
8. 止めナットは、2本の止めねじ(1)を締めて固定します。

#### 4.7 故障の発見

システム圧力が減少した場合は、以下を確認してください。

1. セレクタバルブ ( 図 A1 ) (7) が正しい位置にあり、適切にねじ止めされていることを確認する。
2. 圧力を生成した後、温度が安定するまで待機する。システムの容積が大きければ大きいほど、熱安定が得られるまで時間がかかります。
3. アダプタ、フレキシブルパイプおよびポンプと被試験装置間の接続に漏れがないことを確認する。緩い接合部がある場合は締め、磨耗あるいは損傷したシールは取り替えます。
4. 油圧モードでは、ポリウムアジャスタが最後まで回しこめるものの、最大圧力が得られない場合や、圧力は得られるものの、初期減圧が遅い場合は、システムに空気が混入している場合があります。ポンプやDUTの接続を外さずに、真空プライミング手順を繰り返して、再プライミングを行ってください。
5. PRV 圧力設定を確認します。

何らかの理由で、ポンプ内で故障が起きた場合、認定代理店に装置を返品していただくことをお勧めします。

## 5. 一般仕様



**情報** 作動液はステンレススチール、陽極酸化アルミニウム、ニトリルゴム、PTFE、ポリプロピレン、デルリン、アクリル、およびナイロンと適合していなければなりません。

項目	仕様
空圧レンジ	0 ~ 60 bar (0 ~ 600 psi)
真空圧レンジ	0 ~ -0.95 ba <sup>a</sup> r (0 ~ 28.5 inHg) <sup>a</sup>
液圧レンジ	0 ~ 700 bar (0 ~ 10,000 psi)
最大安全作動圧力	700 bar (10,000 psi)
圧力接続	¼" BSP 平行メス型 (米国の場合は ¼" NPT メス型)
作動液の最大粘度	40°C (104°F) にて 150 cSt
推奨作動液	脱塩水またはミネラルベースの作動油 (SAE 40W、ISO 粘度グレード 150)
寸法 (長さ x 幅 x 奥行)	260 mm (10.2") x 150 mm (5.3") x 100 mm (3.7")
重量 (概算)	1.2 kg (2.5 lb)

a. この値は、1 bar (14.5 psi) の標準大気圧を想定したものであり、大気圧によって変動します。

## 6. 返品手順

本装置に校正が必要な場合、または動作不良が発生した場合は、以下のリストからご確認のうえ、最寄りの Druck サービスセンターに送付してください。

<https://druck.com/service>

返品承認 / 機材返却承認 (RGA または RMA) を入手するには、サービス部門にお問い合わせください。RGA または RMA お問い合わせの際には以下の情報をご提示ください。

- 製品名 (PV411A など)
- シリアル番号。
- 故障に関する詳細 / 必須修理内容
- 校正トレーサビリティ要件
- 動作状態

### 6.1 安全のための注意事項



**情報** 未認可の場所で修理サービスを受けた場合、保証期限に影響が出る可能性があり、機器の性能も保証できません。

お客様は、製品が有害または有毒な何かと接触したかどうか、および関連する COSHH または MSDS (米国の場合) に関するリファレンスおよび予防措置が取り扱い時に必要かどうかを弊社にお伝えいただく必要があります。

### 6.2 認定サービス代理店

サービスセンターの一覧については、次を参照してください。 <https://druck.com/service>。





## Office Locations



<https://druck.com/contact>

## Services and Support Locations



<https://druck.com/service>